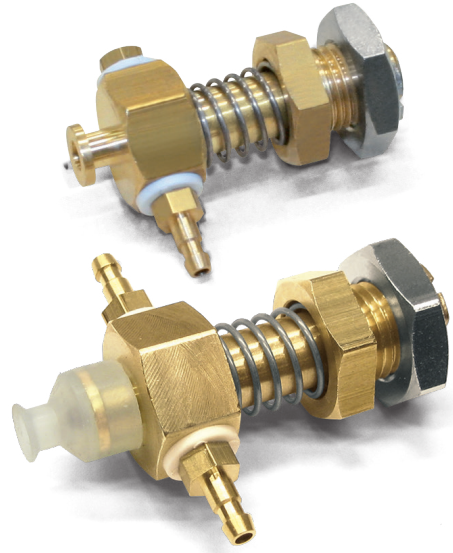


MINI VACUUM CUP HOLDERS WITH COMPACT STROKE

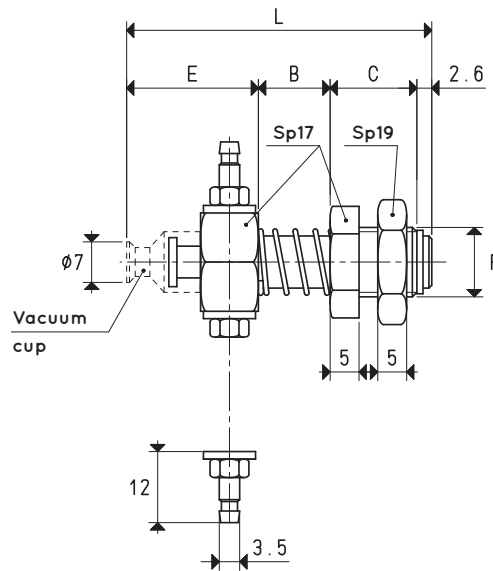
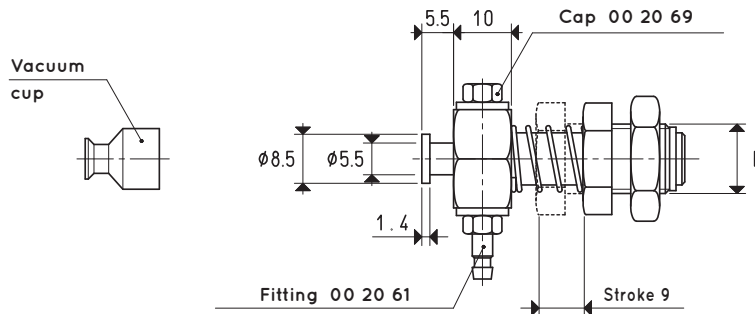
The shorter stroke and their particular shape allow for further bulk and weight reduction of these cup holders, with respect to the previous mini vacuum cup holders.

The components are practically the same, only the vacuum fittings are different, since in these cup holders they are a radial standard hose-end fitting or two fittings, upon request.

They are particularly suited for small cups to be manually assembled with diameters ranging between 10 and 30 mm.



VERSION 20 07 13



VERSION 20 .. 13 DR

VACUUM CUP HOLDERS WITH STRAIGHT COUPLER FOR PLASTIC HOSE

Item	Force Kg	B	C	E	F Ø	L	For vacuum cup item	Weight g
20 07 13	0.09	12.4	15	23	M12 x 1.25	53	01 07 13	56.6

Note: The vacuum cups are not integral parts of the cup holders and, therefore, must be ordered separately.

To order vacuum cups with 2 fittings item 00 20 61 fittings, add the letters DR to code.

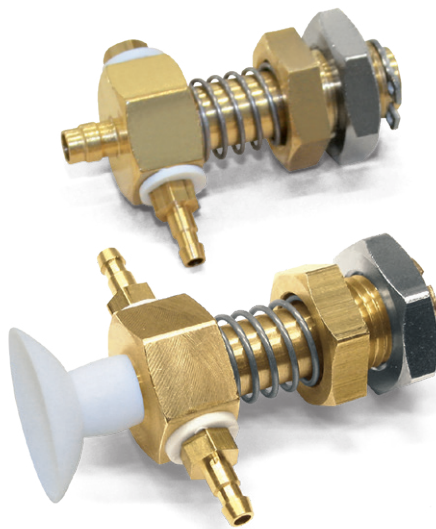
Note: The force of the vacuum cups indicated in the table represents 1/3 of the value of the theoretical force calculated at a level of vacuum of -75 KPa and a factor of safety 3.

Transformation ratio: N (newton) = Kg x 9.81 (force of gravity) inch = $\frac{\text{mm}}{25.4}$; pounds = $\frac{\text{g}}{453.6} = \frac{\text{Kg}}{0.4536}$

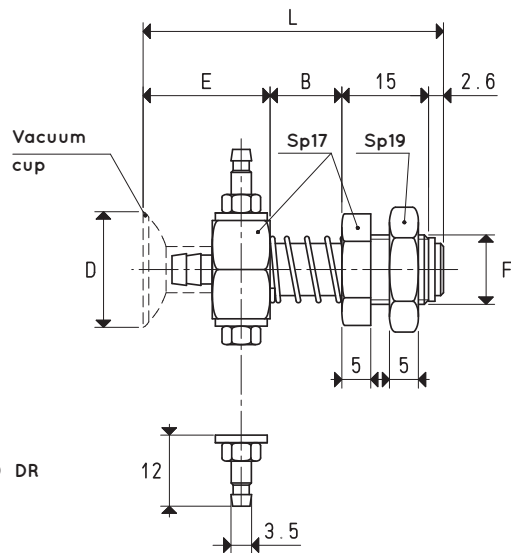
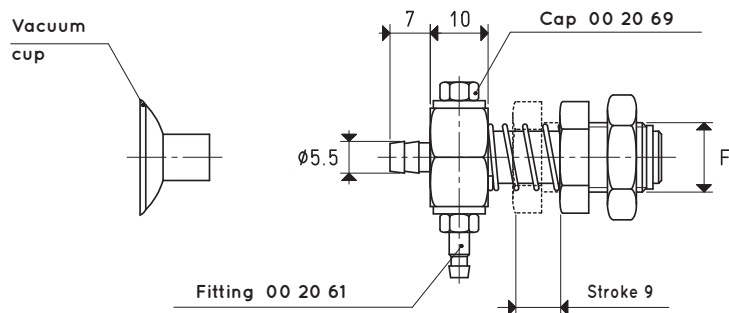


MINI VACUUM CUP HOLDERS WITH COMPACT STROKE

3D drawings are available on vuototecnica.net



VERSION 20 . . 10



VERSION 20 . . 10 DR

VACUUM CUP HOLDERS WITH STRAIGHT COUPLER FOR PLASTIC HOSE

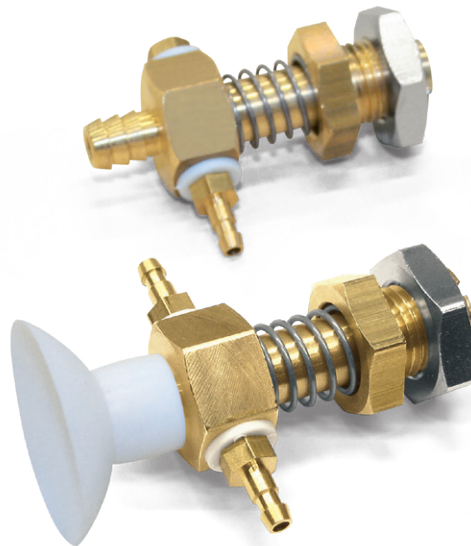
Item	Force Kg	B	D ϕ	E	F ϕ	L	For vacuum cup item	Weight g
20 10 10	0.19	12.4	10	21	M12 x 1.25	51	01 10 10	56.0
20 12 10	0.28	12.4	12	21	M12 x 1.25	51	01 12 10	56.6
20 15 10	0.44	12.4	15	22	M12 x 1.25	52	01 15 10	56.7
20 18 10	0.63	12.4	18	22	M12 x 1.25	52	01 18 10	56.7
20 20 10	0.78	12.4	20	22	M12 x 1.25	52	01 20 10	56.8
20 22 10	0.95	12.4	22	23	M12 x 1.25	53	01 22 10	57.2

Note: The vacuum cups are not integral parts of the cup holders and, therefore, must be ordered separately.

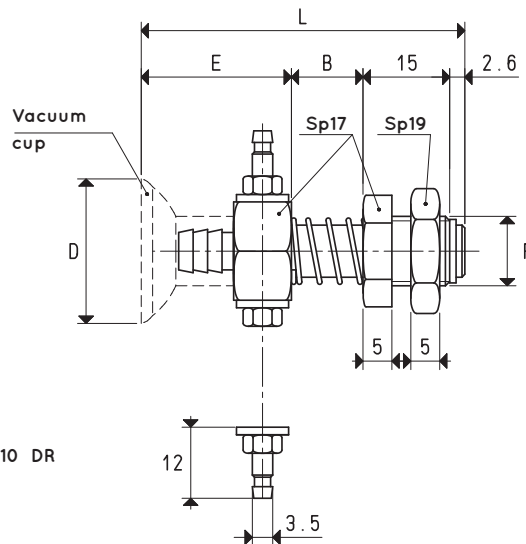
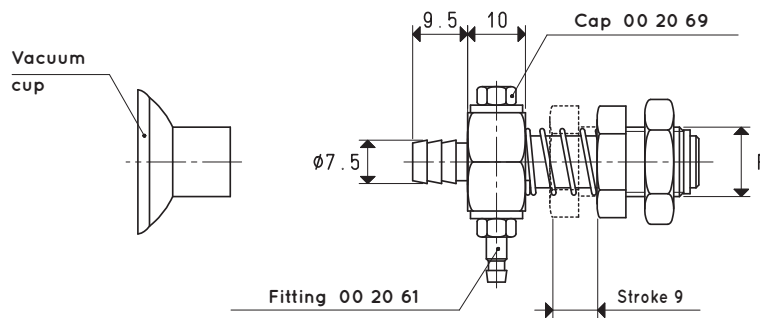
To order vacuum cups with 2 fittings item 00 20 61 fittings, add the letters DR to code.

Note: The force of the vacuum cups indicated in the table represents 1/3 of the value of the theoretical force calculated at a level of vacuum of -75 KPa and a factor of safety 3.

Transformation ratio: N (newton) = Kg x 9.81 (force of gravity) inch = $\frac{\text{mm}}{25.4}$; pounds = $\frac{\text{g}}{453.6} = \frac{\text{Kg}}{0.4536}$



VERSION 20 . . 10



VERSION 20 . . 10 DR

VACUUM CUP HOLDERS WITH STRAIGHT COUPLER FOR PLASTIC HOSE

Item	Force Kg	B	D ∅	E	F ∅	L	For vacuum cup item	Weight g
20 25 10	1.23	12.4	25	26	M12 x 1.25	56	01 25 15	58.0
20 30 10	1.76	12.4	30	26	M12 x 1.25	56	01 30 15	58.7

Note: The vacuum cups are not integral parts of the cup holders and, therefore, must be ordered separately.

To order vacuum cups with 2 fittings item 00 20 61 fittings, add the letters DR to code.

Note: The force of the vacuum cups indicated in the table represents 1/3 of the value of the theoretical force calculated at a level of vacuum of -75 KPa and a factor of safety 3.

Transformation ratio: N (newton) = Kg x 9.81 (force of gravity) inch = $\frac{\text{mm}}{25.4}$; pounds = $\frac{\text{g}}{453.6} = \frac{\text{Kg}}{0.4536}$