



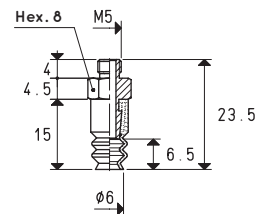
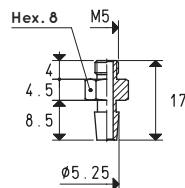
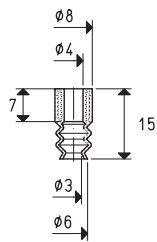
## SPECIAL BELLOWS CUPS WITH SUPPORTS

These bellows cups crumple up when in contact with surface to be gripped and in presence of a vacuum, thus creating a quick lifting movement independently from the automation. This rapid movement prevents the load beneath from remaining stuck to the lifted one. Thanks to their great flexibility, they can also be used to compensate flatness errors or for gripping on inclined surfaces.

The cups shown on this page are the ideal solution for our customers; in fact, they have been designed for handling biscuits, stickers, crackers, sheets, labels, small metal and plastic objects, cardboard, paper and plastic bags, delicate products, chocolate and regular eggs, laminated plastic, etc.

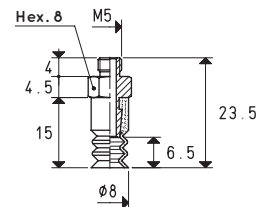
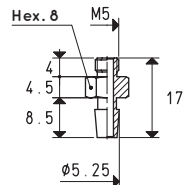
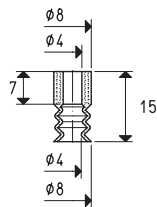
Their nickel-plated brass or anodised aluminium supports are provided with a threaded male or female pin to enable suction and to fasten them to the automation.

These cups can be manually assembled onto their supports without any adhesives, simply by pressing them in. They are provided in standard compounds and, upon request, can be provided in minimum quantities and in other special compounds, listed on pg. 31, to be defined in the order.



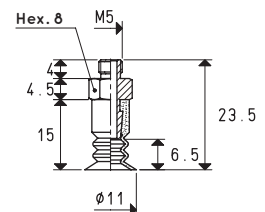
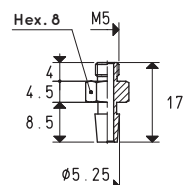
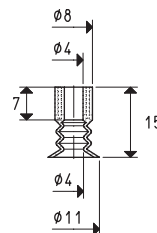
Vacuum cup item	Force Kg	Bellows stroke mm	Volume mm <sup>3</sup>	Support item	Support material	Weight g	Vacuum cup with support item	Weight g
01 06 50 *	0.07	5	135	00 08 06	AVP	2.6	08 06 50 *	3.0

\* Complete the code indicating the compound: A= oil-resistant rubber; N= natural para rubber; S= silicone



Vacuum cup item	Force Kg	Bellows stroke mm	Volume mm <sup>3</sup>	Support item	Support material	Weight g	Vacuum cup with support item	Weight g
01 08 50 *	0.12	5	155	00 08 06	AVP	2.6	08 08 50 *	3.1

\* Complete the code indicating the compound: A= oil-resistant rubber; N= natural para rubber; S= silicone



Vacuum cup item	Force Kg	Bellows stroke mm	Volume mm <sup>3</sup>	Support item	Support material	Weight g	Vacuum cup with support item	Weight g
01 11 50 *	0.23	6	178	00 08 06	AVP	2.6	08 11 50 *	3.2

\* Complete the code indicating the compound: A= oil-resistant rubber; N= natural para rubber; S= silicone

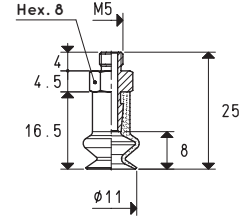
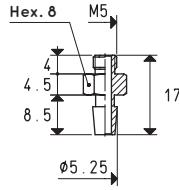
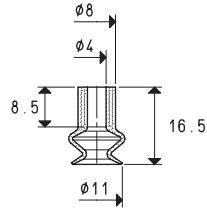
Note: The force of the vacuum cups indicated in the table represents 1/3 of the value of the theoretical force calculated at a level of vacuum of -75 KPa and a factor of safety 3.

Transformation ratio: N (newton) = Kg x 9.81 (force of gravity)

inch =  $\frac{\text{mm}}{25.4}$ ; pounds =  $\frac{\text{g}}{453.6} = \frac{\text{Kg}}{0.4536}$

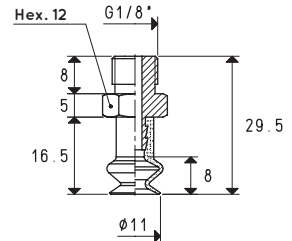
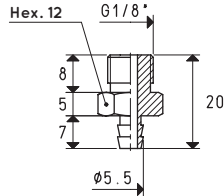
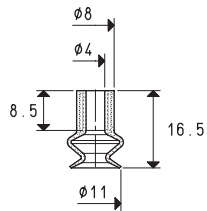
Adapters for GAS - NPT threading available on page 1.130

# SPECIAL BELLOWS CUPS WITH SUPPORTS



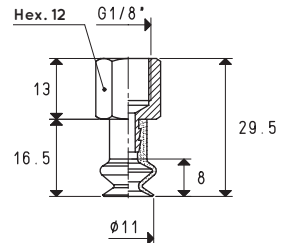
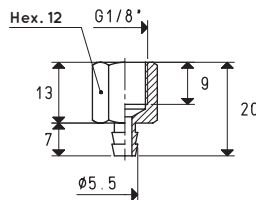
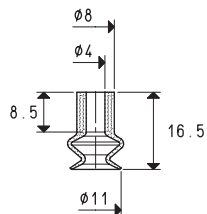
Vacuum cup item	Force Kg	Bellows stroke mm	Volume mm <sup>3</sup>	Support item	Support material	Weight g	Vacuum cup with support item	Weight g
01 11 16 *	0.23	6	319	00 08 06	AVP	2.6	08 11 16 *	3.3

\* Complete the code indicating the compound: A= oil-resistant rubber; N= natural para rubber; S= silicone



Vacuum cup item	Force Kg	Bellows stroke mm	Volume mm <sup>3</sup>	Support item	Support material	Weight g	Vacuum cup with support item	Weight g
01 11 16 *	0.23	6	319	00 08 03	brass	9.0	08 11 17 *	9.7

\* Complete the code indicating the compound: A= oil-resistant rubber; N= natural para rubber; S= silicone



Vacuum cup item	Force Kg	Bellows stroke mm	Volume mm <sup>3</sup>	Support item	Support material	Weight g	Vacuum cup with support item	Weight g
01 11 16 *	0.23	6	319	00 08 04	brass	8.1	08 11 17 F *	8.8

\* Complete the code indicating the compound: A= oil-resistant rubber; N= natural para rubber; S= silicone

Note: The force of the vacuum cups indicated in the table represents 1/3 of the value of the theoretical force calculated at a level of vacuum of -75 KPa and a factor of safety 3.

Transformation ratio: N (newton) = Kg x 9.81 (force of gravity)

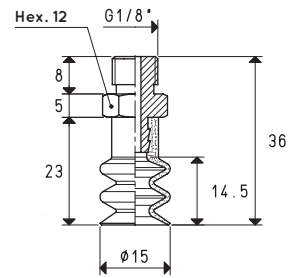
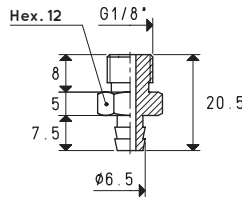
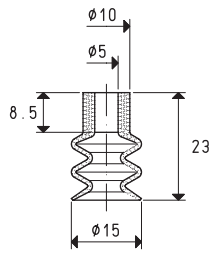
inch =  $\frac{\text{mm}}{25.4}$ ; pounds =  $\frac{\text{g}}{453.6} = \frac{\text{Kg}}{0.4536}$

Adapters for GAS - NPT threading available on page 1.130



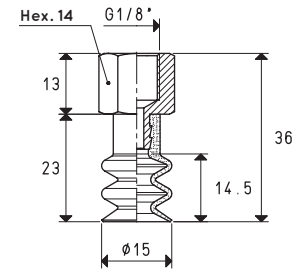
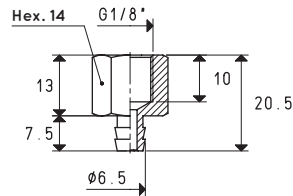
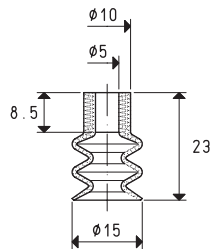
# SPECIAL BELLOWS CUPS WITH SUPPORTS

3D drawings are available on vuotecnica.net



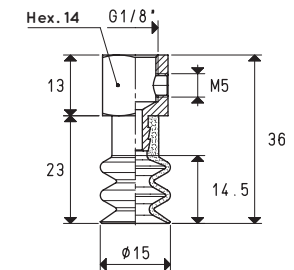
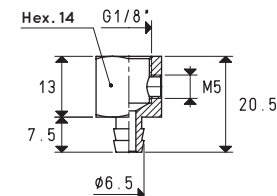
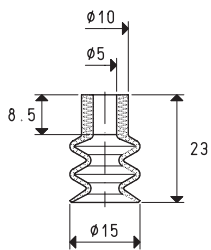
Vacuum cup item	Force Kg	Bellows stroke mm	Volume mm <sup>3</sup>	Support item	Support material	Weight g	Vacuum cup with support item	Weight g
01 15 23 *	0.44	10	952	00 08 67	brass	11.4	08 15 23 *	12.7

\* Complete the code indicating the compound: A= oil-resistant rubber; N= natural para rubber; S= silicone



Vacuum cup item	Force Kg	Bellows stroke mm	Volume mm <sup>3</sup>	Support item	Support material	Weight g	Vacuum cup with support item	Weight g
01 15 23 *	0.44	10	952	00 08 64	brass	13.9	08 15 23 F *	15.2

\* Complete the code indicating the compound: A= oil-resistant rubber; N= natural para rubber; S= silicone



Vacuum cup item	Force Kg	Bellows stroke mm	Volume mm <sup>3</sup>	Support item	Support material	Weight g	Vacuum cup with support item	Weight g
01 15 23 *	0.44	10	952	00 08 65	brass	13.7	08 15 24 F *	15.0

\* Complete the code indicating the compound: A= oil-resistant rubber; N= natural para rubber; S= silicone

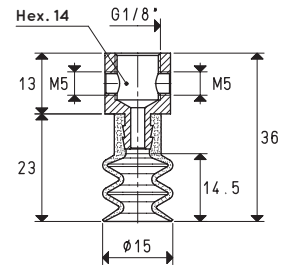
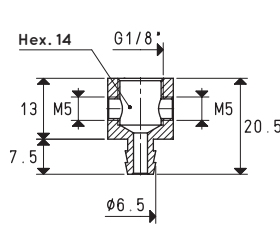
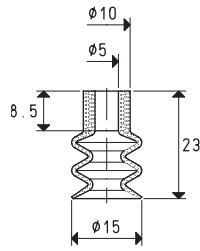
Note: The force of the vacuum cups indicated in the table represents 1/3 of the value of the theoretical force calculated at a level of vacuum of -75 KPa and a factor of safety 3.

Transformation ratio: N (newton) = Kg x 9.81 (force of gravity)

$$\text{inch} = \frac{\text{mm}}{25.4}; \text{pounds} = \frac{\text{g}}{453.6} = \frac{\text{Kg}}{0.4536}$$

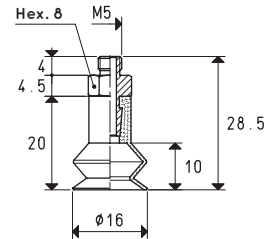
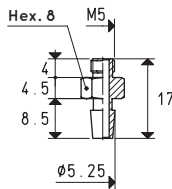
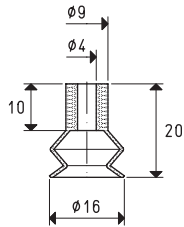
Adapters for GAS - NPT threading available on page 1.130

# SPECIAL BELLOWS CUPS WITH SUPPORTS



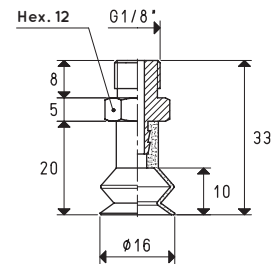
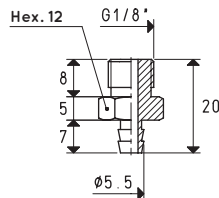
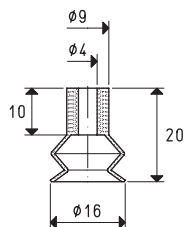
Vacuum cup item	Force Kg	Bellows stroke mm	Volume mm <sup>3</sup>	Support item	Support material	Weight g	Vacuum cup with support item	Weight g
01 15 23 *	0.44	10	952	00 08 66	brass	13.5	08 15 26 F *	14.8

\* Complete the code indicating the compound: A= oil-resistant rubber; N= natural para rubber; S= silicone



Vacuum cup item	Force Kg	Bellows stroke mm	Volume mm <sup>3</sup>	Support item	Support material	Weight g	Vacuum cup with support item	Weight g
01 16 20 *	0.50	7	970	00 08 06	AVP	2.6	08 16 20 *	3.6

\* Complete the code indicating the compound: A= oil-resistant rubber; N= natural para rubber; S= silicone



Vacuum cup item	Force Kg	Bellows stroke mm	Volume mm <sup>3</sup>	Support item	Support material	Weight g	Vacuum cup with support item	Weight g
01 16 20 *	0.50	7	970	00 08 03	brass	9.0	08 16 21 *	10.0

\* Complete the code indicating the compound: A= oil-resistant rubber; N= natural para rubber; S= silicone

Note: The force of the vacuum cups indicated in the table represents 1/3 of the value of the theoretical force calculated at a level of vacuum of -75 KPa and a factor of safety 3.

Transformation ratio: N (newton) = Kg x 9.81 (force of gravity)

inch =  $\frac{mm}{25.4}$ ; pounds =  $\frac{g}{453.6} = \frac{Kg}{0.4536}$

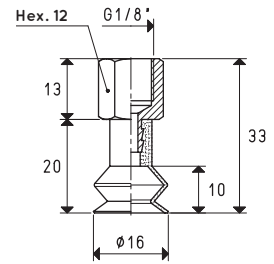
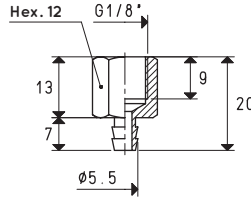
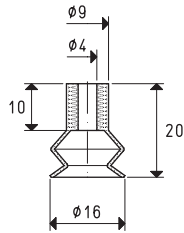
Adapters for GAS - NPT threading available on page 1.130



# SPECIAL BELLOWS CUPS WITH SUPPORTS

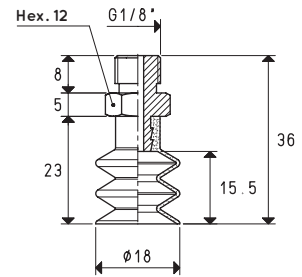
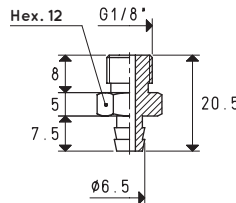
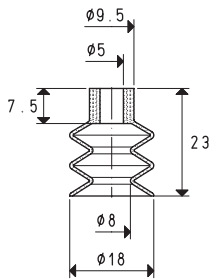
3D drawings are available on vuotecnica.net

1



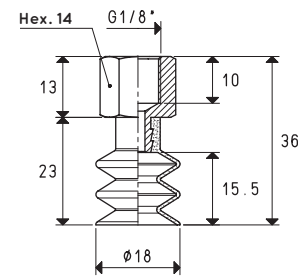
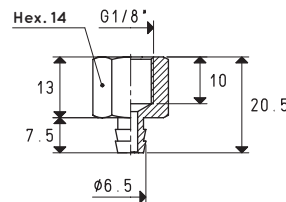
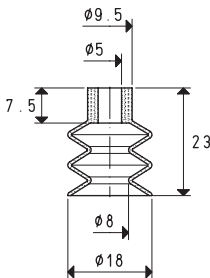
Vacuum cup item	Force Kg	Bellows stroke mm	Volume mm <sup>3</sup>	support item	Support material	Weight g	Vacuum cup with support item	Weight g
01 16 20 *	0.50	8	970	00 08 04	brass	8.1	08 16 21 F *	9.1

\* Complete the code indicating the compound: A= oil-resistant rubber; N= natural para rubber; S= silicone



Vacuum cup item	Force Kg	Bellows stroke mm	Volume cm <sup>3</sup>	Support item	Support material	Weight g	Vacuum cup with support item	Weight g
01 18 23 *	0.63	11	1.8	00 08 67	brass	11.4	08 18 23 *	12.9

\* Complete the code indicating the compound: A= oil-resistant rubber; N= natural para rubber; S= silicone



Vacuum cup item	Force Kg	Bellows stroke mm	Volume cm <sup>3</sup>	Support item	Support material	Weight g	Vacuum cup with support item	Weight g
01 18 23 *	0.63	11	1.8	00 08 64	brass	13.9	08 18 23 F *	15.4

\* Complete the code indicating the compound: A= oil-resistant rubber; N= natural para rubber; S= silicone

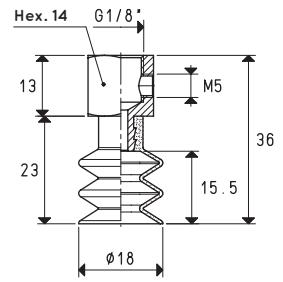
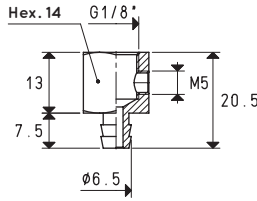
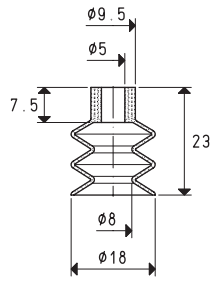
Note: The force of the vacuum cups indicated in the table represents 1/3 of the value of the theoretical force calculated at a level of vacuum of -75 KPa and a factor of safety 3.

Transformation ratio: N (newton) = Kg x 9.81 (force of gravity)

inch =  $\frac{\text{mm}}{25.4}$ ; pounds =  $\frac{\text{g}}{453.6} = \frac{\text{Kg}}{0.4536}$

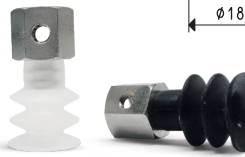
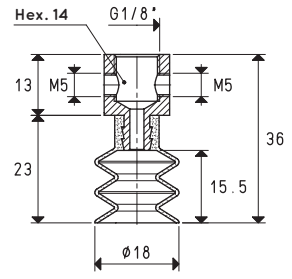
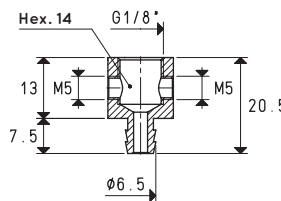
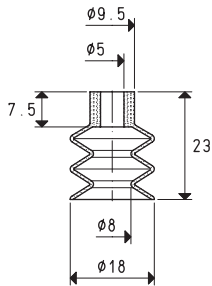
Adapters for GAS - NPT threading available on page 1.130

# SPECIAL BELLOWS CUPS WITH SUPPORTS



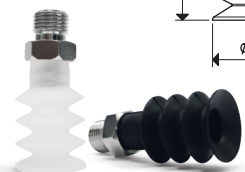
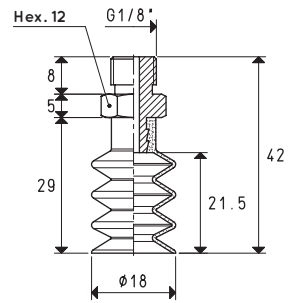
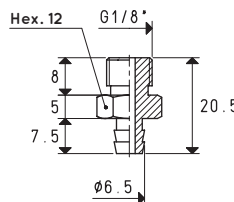
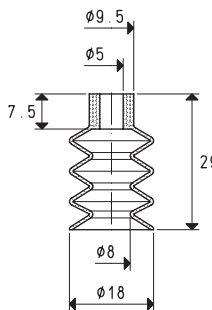
Vacuum cup item	Force Kg	Bellows stroke mm	Volume cm <sup>3</sup>	Support item	Support material	Weight g	Vacuum cup with support item	Weight g
01 18 23 *	0.63	11	1.8	00 08 65	brass	13.7	08 18 24 F *	15.2

\* Complete the code indicating the compound: A= oil-resistant rubber; N= natural para rubber; S= silicone



Vacuum cup item	Force Kg	Bellows stroke mm	Volume cm <sup>3</sup>	Support item	Support material	Weight g	Vacuum cup with support item	Weight g
01 18 23 *	0.63	11	1.8	00 08 66	brass	13.5	08 18 26 F *	15.0

\* Complete the code indicating the compound: A= oil-resistant rubber; N= natural para rubber; S= silicone



Vacuum cup item	Force Kg	Bellows stroke mm	Volume cm <sup>3</sup>	Support item	Support material	Weight g	Vacuum cup with support item	Weight g
01 18 29 *	0.63	15	2.5	00 08 67	brass	11.4	08 18 29 *	13.2

\* Complete the code indicating the compound: A= oil-resistant rubber; N= natural para rubber; S= silicone

Note: The force of the vacuum cups indicated in the table represents 1/3 of the value of the theoretical force calculated at a level of vacuum of -75 KPa and a factor of safety 3.

Transformation ratio: N (newton) = Kg x 9.81 (force of gravity)

inch =  $\frac{\text{mm}}{25.4}$ ; pounds =  $\frac{\text{g}}{453.6} = \frac{\text{Kg}}{0.4536}$

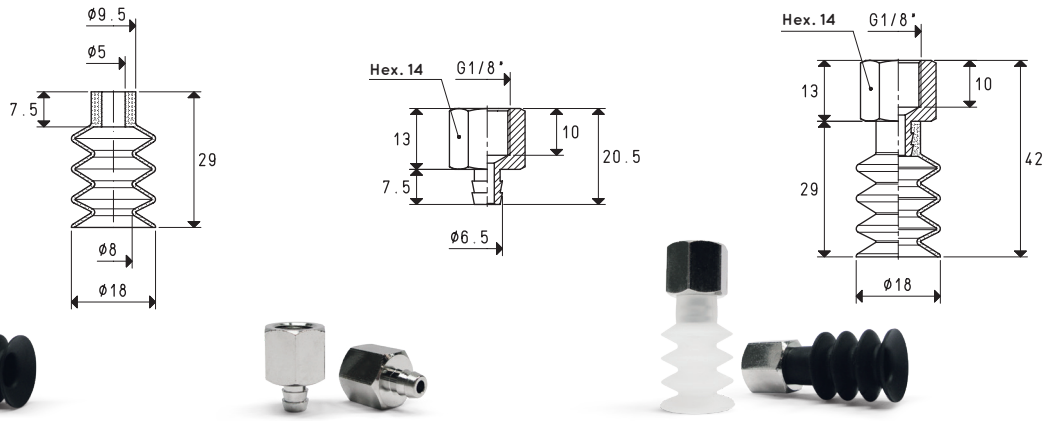
Adapters for GAS - NPT threading available on page 1.130



# SPECIAL BELLOWS CUPS WITH SUPPORTS

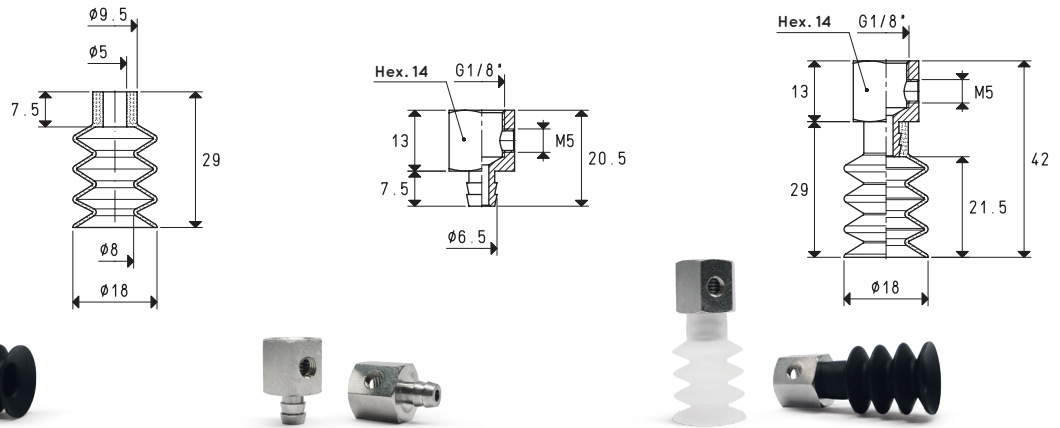
3D drawings are available on [vuotecnica.net](http://vuotecnica.net)

1



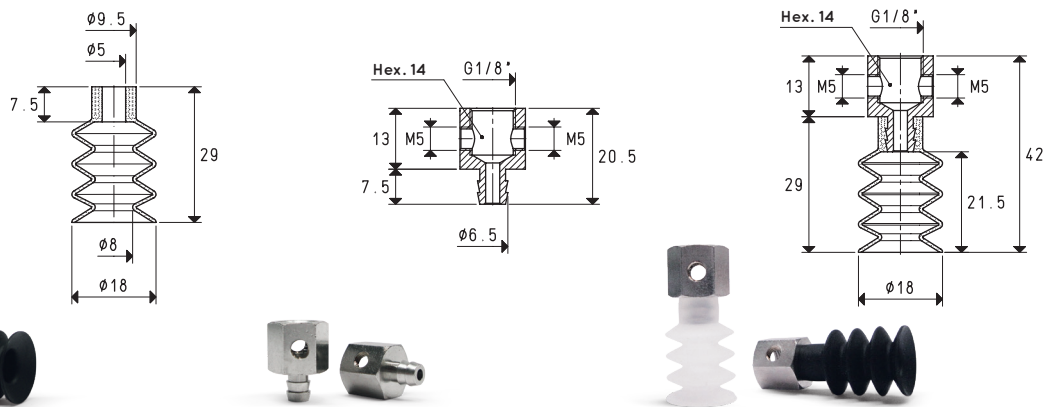
Vacuum cup item	Force Kg	Bellows stroke mm	Volume cm <sup>3</sup>	Support item	Support material	Weight g	Vacuum cup with support item	Weight g
01 18 29 *	0.63	15	2.5	00 08 64	brass	13.9	08 18 29 F *	15.7

\* Complete the code indicating the compound: A= oil-resistant rubber; N= natural para rubber; S= silicone



Vacuum cup item	Force Kg	Bellows stroke mm	Volume cm <sup>3</sup>	Support item	Support material	Weight g	Vacuum cup with support item	Weight g
01 18 29 *	0.63	15	2.5	00 08 65	brass	13.7	08 18 30 F *	15.5

\* Complete the code indicating the compound: A= oil-resistant rubber; N= natural para rubber; S= silicone



Vacuum cup item	Force Kg	Bellows stroke mm	Volume cm <sup>3</sup>	Support item	Support material	Weight g	Vacuum cup with support item	Weight g
01 18 29 *	0.63	15	2.5	00 08 66	brass	13.5	08 18 31 F *	15.3

\* Complete the code indicating the compound: A= oil-resistant rubber; N= natural para rubber; S= silicone

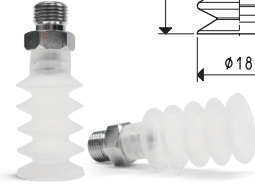
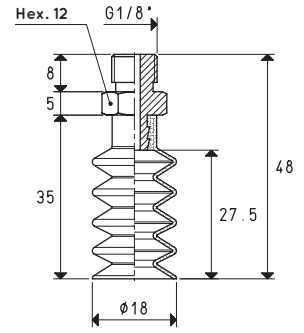
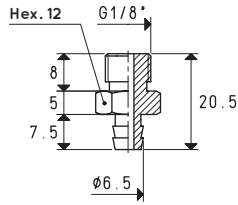
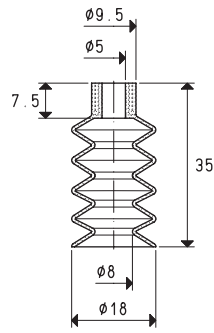
Note: The force of the vacuum cups indicated in the table represents 1/3 of the value of the theoretical force calculated at a level of vacuum of -75 KPa and a factor of safety 3.

Transformation ratio: N (newton) = Kg x 9.81 (force of gravity)

$$\text{inch} = \frac{\text{mm}}{25.4}; \text{pounds} = \frac{\text{g}}{453.6} = \frac{\text{Kg}}{0.4536}$$

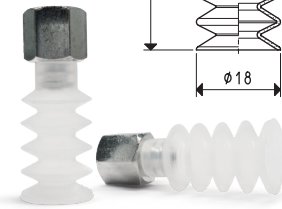
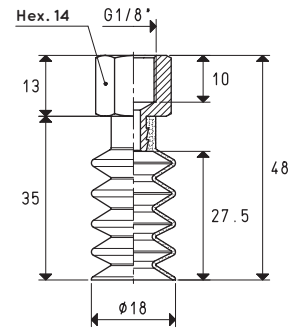
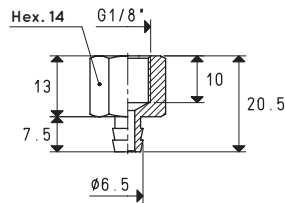
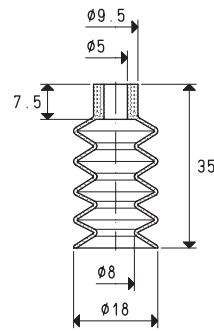
Adapters for GAS - NPT threading available on page 1.130

# SPECIAL BELLOWS CUPS WITH SUPPORTS



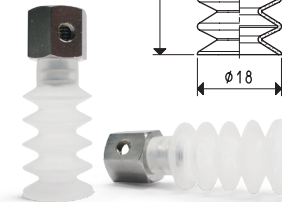
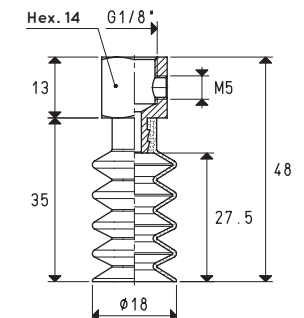
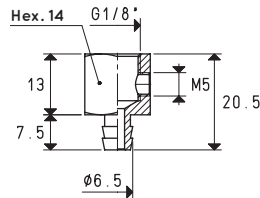
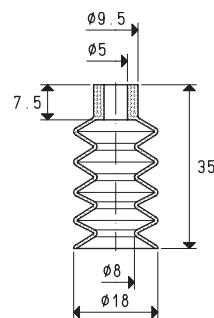
Vacuum cup item	Force Kg	Bellows stroke mm	Volume cm <sup>3</sup>	Support item	Support material	Weight g	Vacuum cup with support item	Weight g
01 18 35 *	0.63	18	3.1	00 08 67	brass	11.4	08 18 35 *	13.7

\* Complete the code indicating the compound: A= oil-resistant rubber; N= natural para rubber; S= silicone



Vacuum cup item	Force Kg	Bellows stroke mm	Volume cm <sup>3</sup>	Support item	Support material	Weight g	Vacuum cup with support item	Weight g
01 18 35 *	0.63	18	3.1	00 08 64	brass	13.9	08 18 35 F *	16.2

\* Complete the code indicating the compound: A= oil-resistant rubber; N= natural para rubber; S= silicone



Vacuum cup item	Force Kg	Bellows stroke mm	Volume cm <sup>3</sup>	Support item	Support material	Weight g	Vacuum cup with support item	Weight g
01 18 35 *	0.63	18	3.1	00 08 65	brass	13.7	08 18 36 F *	16.0

\* Complete the code indicating the compound: A= oil-resistant rubber; N= natural para rubber; S= silicone

Note: The force of the vacuum cups indicated in the table represents 1/3 of the value of the theoretical force calculated at a level of vacuum of -75 KPa and a factor of safety 3.

Transformation ratio: N (newton) = Kg x 9.81 (force of gravity)

inch =  $\frac{\text{mm}}{25.4}$ ; pounds =  $\frac{\text{g}}{453.6} = \frac{\text{Kg}}{0.4536}$

Adapters for GAS - NPT threading available on page 1.130

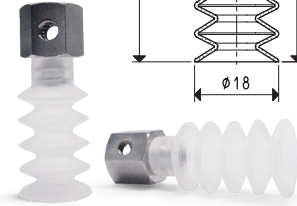
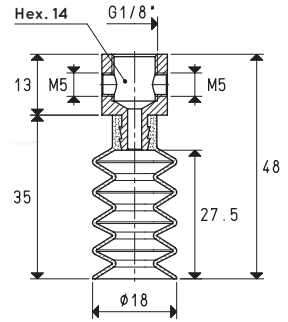
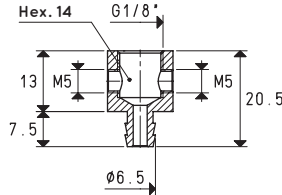
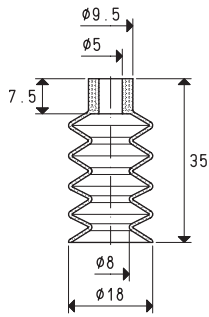




# SPECIAL BELLOWS CUPS WITH SUPPORTS

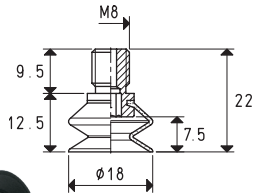
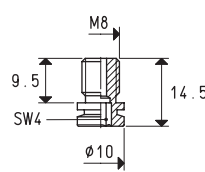
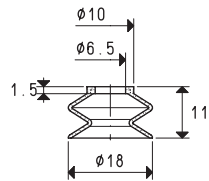
3D drawings are available on vuotecnica.net

1



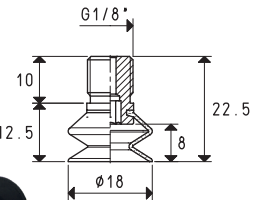
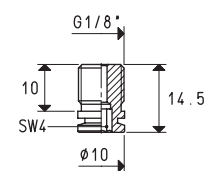
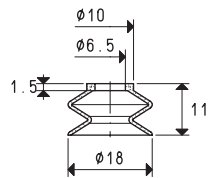
Vacuum cup item	Force Kg	Bellows stroke mm	Volume cm <sup>3</sup>	Support item	Support material	Weight g	Vacuum cup with support item	Weight g
01 18 35 *	0.63	18	3.1	00 08 66	brass	13.5	08 18 37 F *	15.8

\* Complete the code indicating the compound: A= oil-resistant rubber; N= natural para rubber; S= silicone



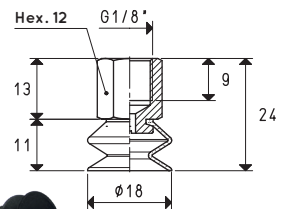
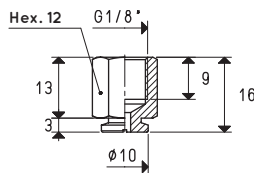
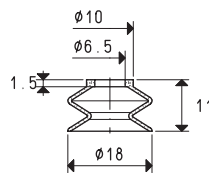
Vacuum cup item	Force Kg	Bellows stroke mm	Volume cm <sup>3</sup>	Support item	Support material	Weight g	Vacuum cup with support item	Weight g
01 18 50 *	0.63	5.5	1.1	00 08 07	brass	4.8	08 18 50 *	5.5

\* Complete the code indicating the compound: A= oil-resistant rubber; N= natural para rubber; S= silicone



Vacuum cup item	Force Kg	Bellows stroke mm	Volume cm <sup>3</sup>	Support item	Support material	Weight g	Vacuum cup with support item	Weight g
01 18 50 *	0.63	5.5	1.1	00 08 61	brass	6.5	08 18 51 *	7.2

\* Complete the code indicating the compound: A= oil-resistant rubber; N= natural para rubber; S= silicone



Vacuum cup item	Force Kg	Bellows stroke mm	Volume cm <sup>3</sup>	Support item	Support material	Weight g	Vacuum cup with support item	Weight g
01 18 50 *	0.63	5.5	1.1	00 08 62	brass	9.4	08 18 52 *	10.1

\* Complete the code indicating the compound: A= oil-resistant rubber; N= natural para rubber; S= silicone

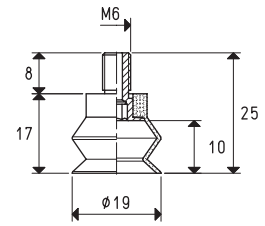
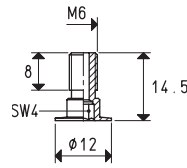
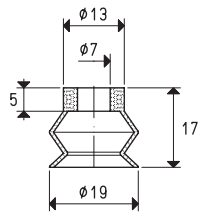
Note: The force of the vacuum cups indicated in the table represents 1/3 of the value of the theoretical force calculated at a level of vacuum of -75 KPa and a factor of safety 3.

Transformation ratio: N (newton) = Kg x 9.81 (force of gravity)

inch =  $\frac{\text{mm}}{25.4}$ ; pounds =  $\frac{\text{g}}{453.6} = \frac{\text{Kg}}{0.4536}$

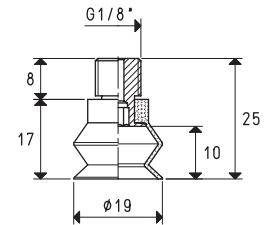
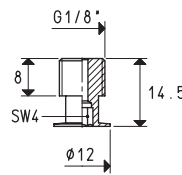
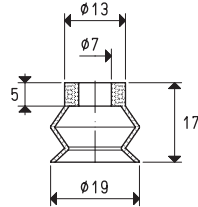
Adapters for GAS - NPT threading available on page 1.130

# SPECIAL BELLOWS CUPS WITH SUPPORTS



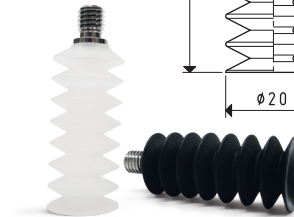
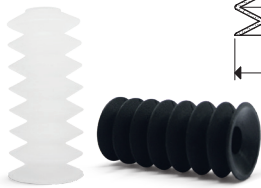
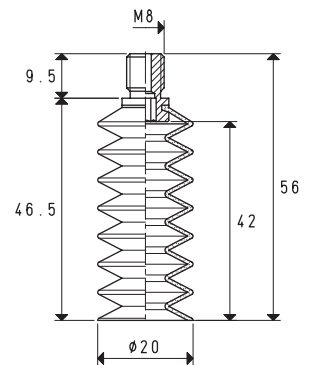
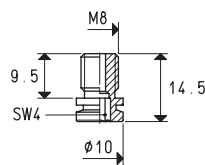
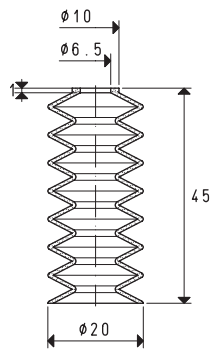
Vacuum cup item	Force Kg	Bellows stroke mm	Volume cm <sup>3</sup>	Support item	Support material	Weight g	Vacuum cup with support item	Weight g
01 19 17 *	0.70	8	1.9	00 08 08	brass	2.7	08 19 17 *	4.0

\* Complete the code indicating the compound: A= oil-resistant rubber; N= natural para rubber; S= silicone



Vacuum cup item	Force Kg	Bellows stroke mm	Volume cm <sup>3</sup>	Support item	Support material	Weight g	Vacuum cup with support item	Weight g
01 19 17 *	0.70	8	1.9	00 08 60	brass	5.6	08 19 18*	6.9

\* Complete the code indicating the compound: A= oil-resistant rubber; N= natural para rubber; S= silicone



Vacuum cup item	Force Kg	Bellows stroke mm	Volume cm <sup>3</sup>	Support item	Support material	Weight g	Vacuum cup with support item	Weight g
01 20 60 *	0.78	28	5.4	00 08 07	brass	4.8	08 20 60 *	9.0

\* Complete the code indicating the compound: A= oil-resistant rubber; N= natural para rubber; S= silicone

Note: The force of the vacuum cups indicated in the table represents 1/3 of the value of the theoretical force calculated at a level of vacuum of -75 KPa and a factor of safety 3.

Transformation ratio: N (newton) = Kg x 9.81 (force of gravity)

$$\text{inch} = \frac{\text{mm}}{25.4}; \text{pounds} = \frac{\text{g}}{453.6} = \frac{\text{Kg}}{0.4536}$$

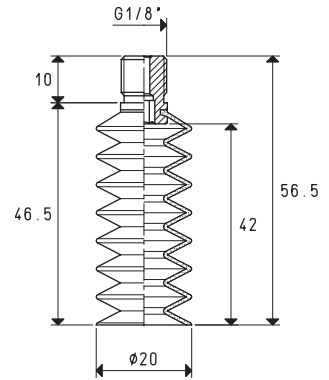
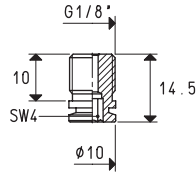
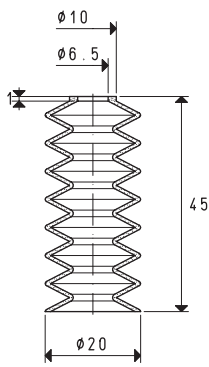
Adapters for GAS - NPT threading available on page 1.130



# SPECIAL BELLOWS CUPS WITH SUPPORTS

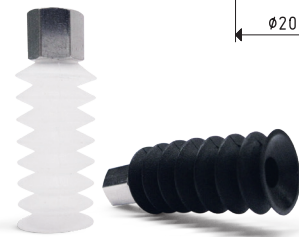
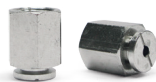
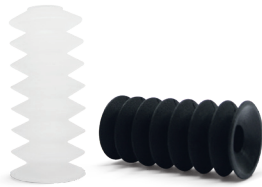
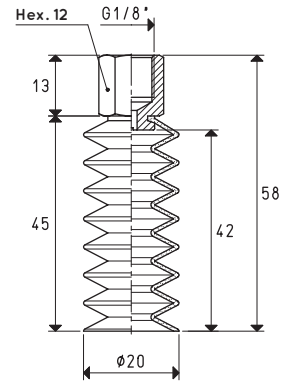
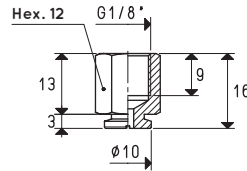
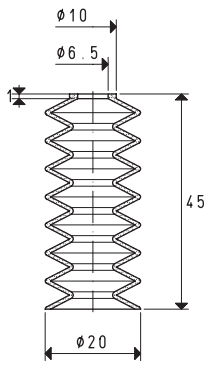
3D drawings are available on [vuotecnica.net](http://vuotecnica.net)

1



Vacuum cup item	Force Kg	Bellows stroke mm	Volume cm <sup>3</sup>	Support item	Support material	Weight g	Vacuum cup with support item	Weight g
01 20 60 *	0.78	28	5.4	00 08 61	brass	6.5	08 20 61 *	10.7

\* Complete the code indicating the compound: A= oil-resistant rubber; N= natural para rubber; S= silicone



Vacuum cup item	Force Kg	Bellows stroke mm	Volume cm <sup>3</sup>	Support item	Support material	Weight g	Vacuum cup with support item	Weight g
01 20 60 *	0.78	28	5.4	00 08 62	brass	4.4	08 20 62 *	8.6

\* Complete the code indicating the compound: A= oil-resistant rubber; N= natural para rubber; S= silicone

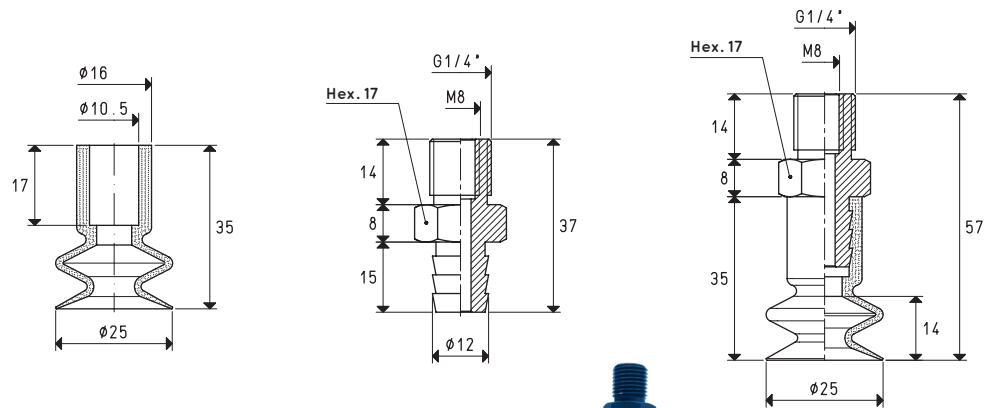
Note: The force of the vacuum cups indicated in the table represents 1/3 of the value of the theoretical force calculated at a level of vacuum of -75 KPa and a factor of safety 3.

Transformation ratio: N (newton) = Kg x 9.81 (force of gravity)

inch =  $\frac{\text{mm}}{25.4}$ ; pounds =  $\frac{\text{g}}{453.6} = \frac{\text{Kg}}{0.4536}$

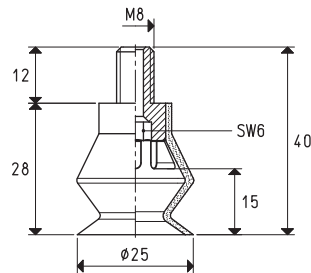
Adapters for GAS - NPT threading available on page 1.130

# SPECIAL BELLOWS CUPS WITH SUPPORTS



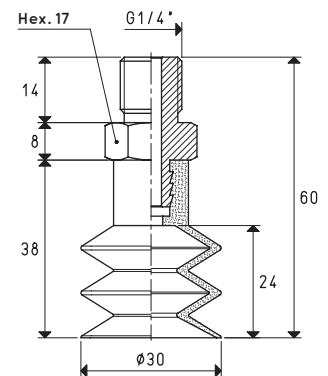
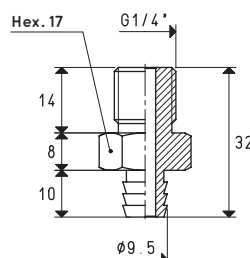
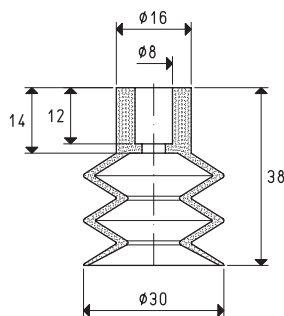
Vacuum cup item	Force Kg	Bellows stroke mm	Volume cm <sup>3</sup>	Support item	Support material	Weight g	Vacuum cup with support item	Weight g
01 25 35 *	1.23	10	2.5	00 08 15	aluminium	12.3	08 25 35 *	17.3

\* Complete the code indicating the compound: A= oil-resistant rubber; N= natural para rubber; S= silicone



Vacuum cup with vulcanised support Item	Force Kg	Bellows stroke mm	Volume cm <sup>3</sup>	Support material	Weight g
08 25 40 *	1.23	9	4.1	steel	13.0

\* Complete the code indicating the compound: A= oil-resistant rubber; N= natural para rubber; S= silicone



Vacuum cup item	Force Kg	Bellows stroke mm	Volume cm <sup>3</sup>	Support item	Support material	Weight g	Vacuum cup with support item	Weight g
01 30 50 *	1.76	14	6.5	00 08 18	aluminium	10.3	08 30 50 *	17.9

\* Complete the code indicating the compound: A= oil-resistant rubber; N= natural para rubber; S= silicone

Note: The force of the vacuum cups indicated in the table represents 1/3 of the value of the theoretical force calculated at a level of vacuum of -75 KPa and a factor of safety 3.

Transformation ratio: N (newton) = Kg x 9.81 (force of gravity)

inch =  $\frac{\text{mm}}{25.4}$ ; pounds =  $\frac{\text{g}}{453.6} = \frac{\text{Kg}}{0.4536}$

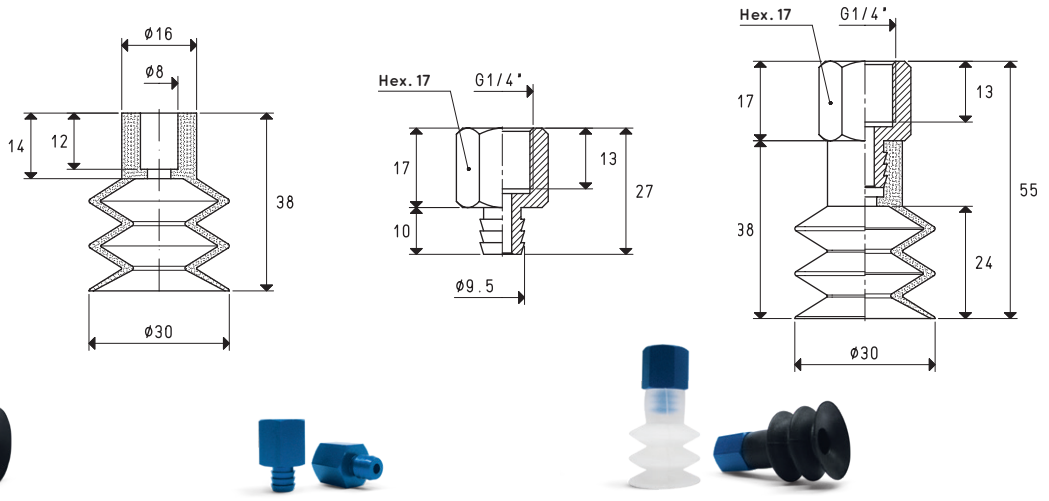
Adapters for GAS - NPT threading available on page 1.130



# SPECIAL BELLOWS CUPS WITH SUPPORTS

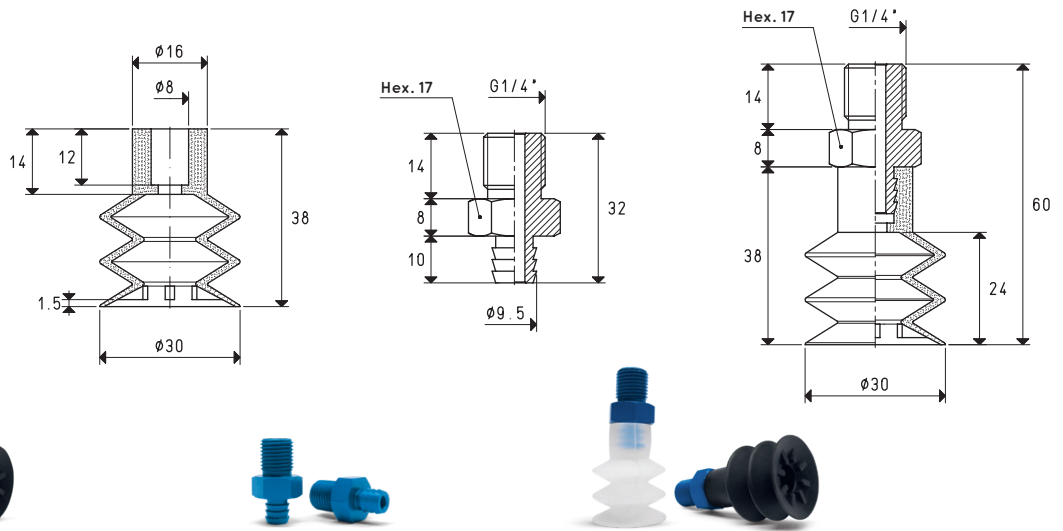
3D drawings are available on [vuotecnica.net](http://vuotecnica.net)

1



Vacuum cup item	Force Kg	Bellows stroke mm	Volume cm <sup>3</sup>	Support item	Support material	Weight g	Vacuum cup with support item	Weight g
01 30 50 *	1.76	14	6.5	00 08 50	aluminium	8.5	08 30 50 F *	16.1

\* Complete the code indicating the compound: A= oil-resistant rubber; N= natural para rubber; S= silicone



Vacuum cup item	Force Kg	Bellows stroke mm	Volume cm <sup>3</sup>	Support item	Support material	Weight g	Vacuum cup with support item	Weight g
01 30 99 *	1.76	14	6.5	00 08 18	aluminium	10.3	08 30 99 *	18.5

\* Complete the code indicating the compound: A= oil-resistant rubber; N= natural para rubber; S= silicone

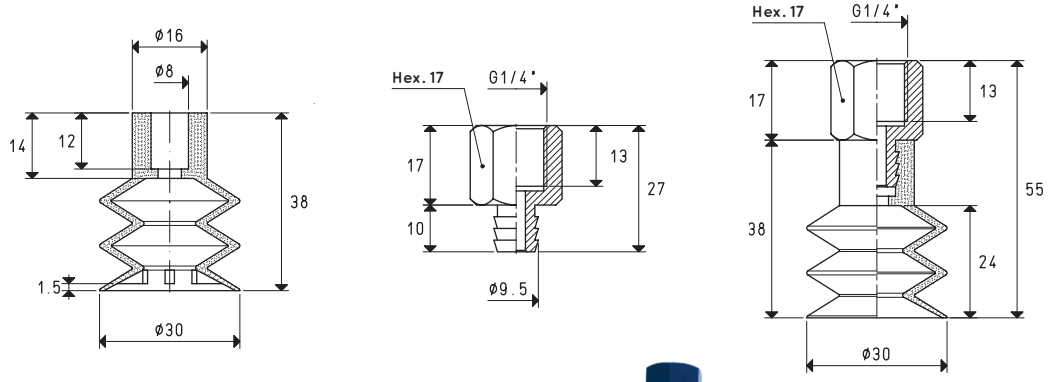
Note: The force of the vacuum cups indicated in the table represents 1/3 of the value of the theoretical force calculated at a level of vacuum of -75 KPa and a factor of safety 3.

Transformation ratio: N (newton) = Kg x 9.81 (force of gravity)

inch =  $\frac{\text{mm}}{25.4}$ ; pounds =  $\frac{\text{g}}{453.6} = \frac{\text{Kg}}{0.4536}$

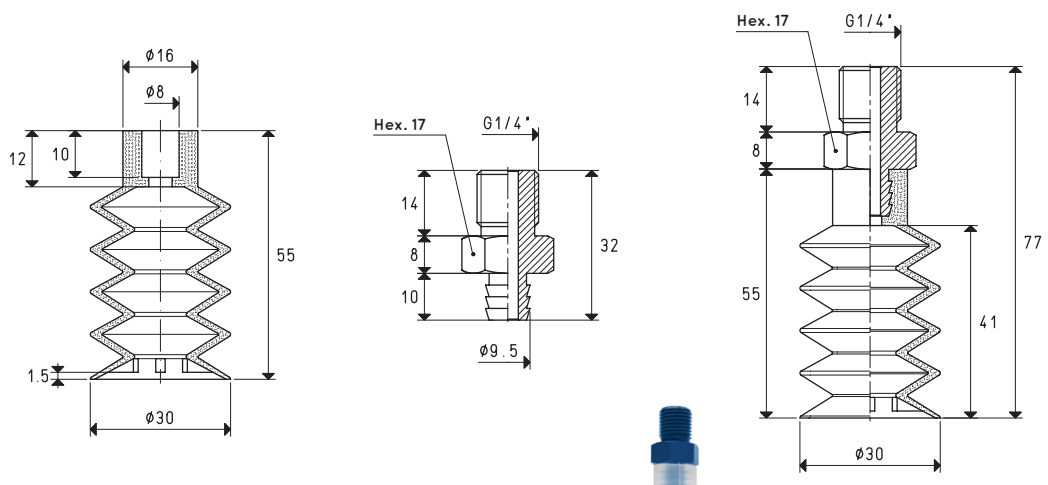
Adapters for GAS - NPT threading available on page 1.130

# SPECIAL BELLOWS CUPS WITH SUPPORTS



Vacuum cup item	Force Kg	Bellows stroke mm	Volume cm <sup>3</sup>	Support item	Support material	Weight g	Vacuum cup with support item	Weight g
01 30 99 *	1.76	14	6.5	00 08 50	aluminium	8.5	08 30 99 F *	16.7

\* Complete the code indicating the compound: A= oil-resistant rubber; N= natural para rubber; S= silicone



Vacuum cup item	Force Kg	Bellows stroke mm	Volume cm <sup>3</sup>	Support item	Support material	Weight g	Vacuum cup with support item	Weight g
01 30 55 *	1.76	24	10.6	00 08 18	aluminium	10.3	08 30 55 *	23.1

\* Complete the code indicating the compound: N= natural para rubber; S= silicone

Note: The force of the vacuum cups indicated in the table represents 1/3 of the value of the theoretical force calculated at a level of vacuum of -75 KPa and a factor of safety 3.

Transformation ratio: N (newton) = Kg x 9.81 (force of gravity)

inch =  $\frac{\text{mm}}{25.4}$ ; pounds =  $\frac{\text{g}}{453.6} = \frac{\text{Kg}}{0.4536}$

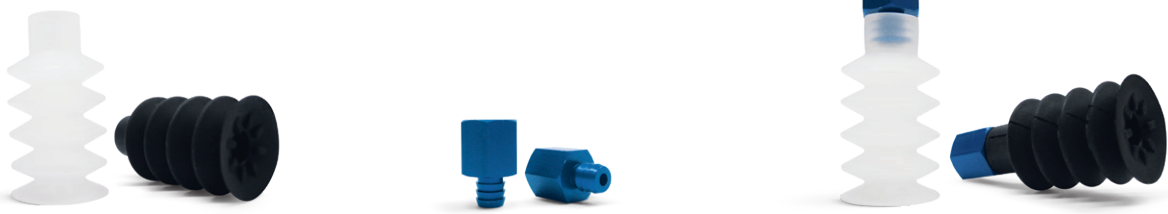
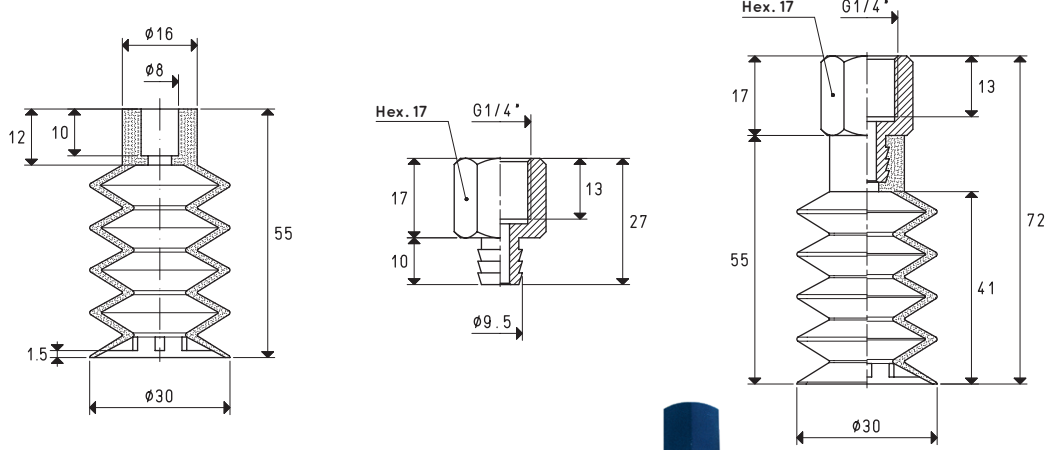
Adapters for GAS - NPT threading available on page 1.130



# SPECIAL BELLOWS CUPS WITH SUPPORTS

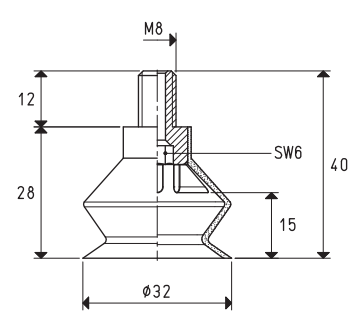
3D drawings are available on [vuototecnica.net](http://vuototecnica.net)

1



Vacuum cup item	Force Kg	Bellows stroke mm	Volume cm <sup>3</sup>	Support item	Support material	Weight g	Vacuum cup with support item	Weight g
01 30 55 *	1.76	24	10.6	00 08 50	aluminium	8.5	08 30 55 F *	21.3

\* Complete the code indicating the compound: N= natural para rubber; S= silicone



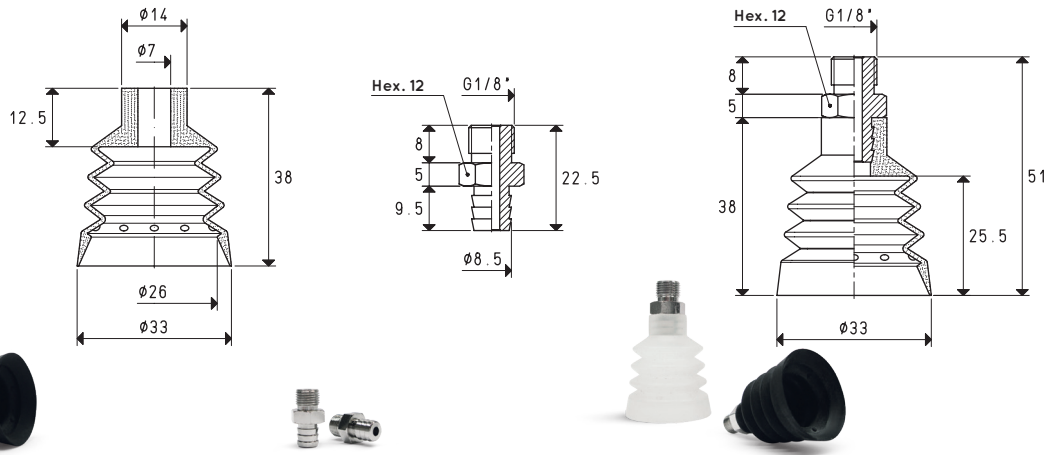
Vacuum cup with vulcanised support Item	Force Kg	Bellows stroke mm	Volume cm <sup>3</sup>	Support material	Weight g
08 32 40 *	2.00	10	6.9	steel	14.0

\* Complete the code indicating the compound: A= oil-resistant rubber; N= natural para rubber; S= silicone

Note: The force of the vacuum cups indicated in the table represents 1/3 of the value of the theoretical force calculated at a level of vacuum of -75 KPa and a factor of safety 3.

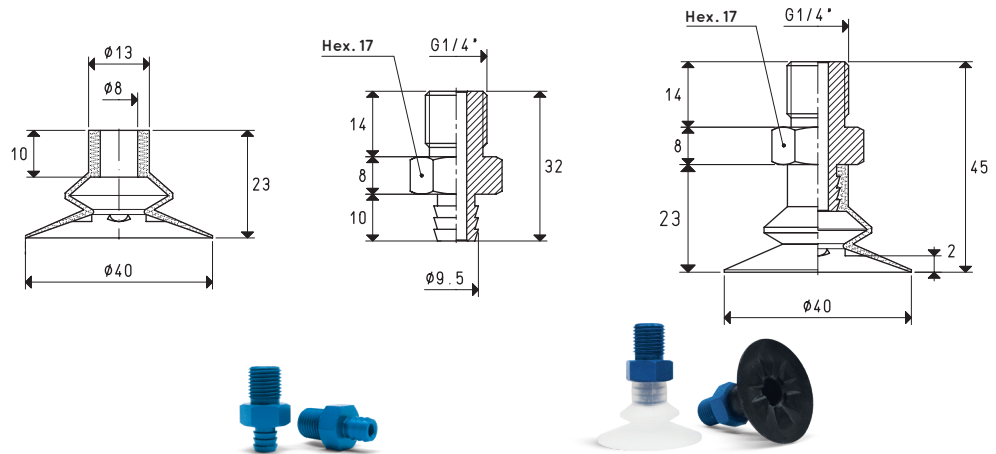
Transformation ratio: N (newton) = Kg x 9.81 (force of gravity)      inch =  $\frac{\text{mm}}{25.4}$  ; pounds =  $\frac{\text{g}}{453.6} = \frac{\text{Kg}}{0.4536}$       Adapters for GAS - NPT threading available on page 1.130

# SPECIAL BELLOWS CUPS WITH SUPPORTS



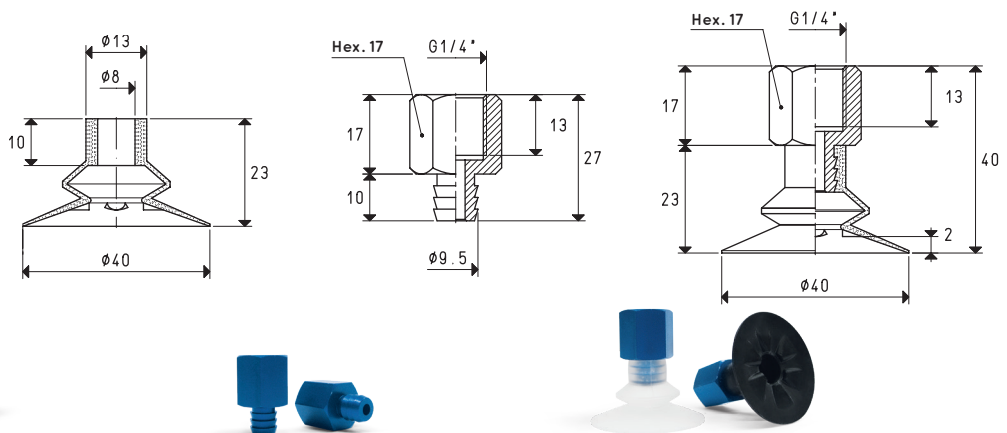
Vacuum cup item	Force Kg	Bellows stroke mm	Volume cm <sup>3</sup>	Support item	Support material	Weight g	Vacuum cup with support item	Weight g
<b>01 33 50 *</b>	2.13	9	12.0	00 08 82	brass	11.2	08 33 50 *	18.8

\* Complete the code indicating the compound: A= oil-resistant rubber; N= natural para rubber; S= silicone



Vacuum cup item	Force Kg	Bellows stroke mm	Volume cm <sup>3</sup>	Support item	Support material	Weight g	Vacuum cup with support item	Weight g
<b>01 40 50 *</b>	2.40	7	4.3	00 08 18	aluminium	10.3	08 40 50 *	14.9

\* Complete the code indicating the compound: A= oil-resistant rubber; N= natural para rubber; S= silicone



Vacuum cup item	Force Kg	Bellows stroke mm	Volume cm <sup>3</sup>	Support item	Support material	Weight g	Vacuum cup with support item	Weight g
<b>01 40 50 *</b>	2.40	7	4.3	00 08 50	aluminium	8.5	08 40 50 F *	13.1

\* Complete the code indicating the compound: A= oil-resistant rubber; N= natural para rubber; S= silicone

Note: The force of the vacuum cups indicated in the table represents 1/3 of the value of the theoretical force calculated at a level of vacuum of -75 KPa and a factor of safety 3.

Transformation ratio: N (newton) = Kg x 9.81 (force of gravity)

$$\text{inch} = \frac{\text{mm}}{25.4}; \text{pounds} = \frac{\text{g}}{453.6} = \frac{\text{Kg}}{0.4536}$$

Adapters for GAS - NPT threading available on page 1.130

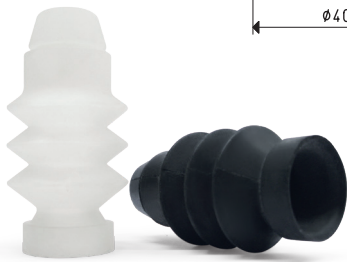
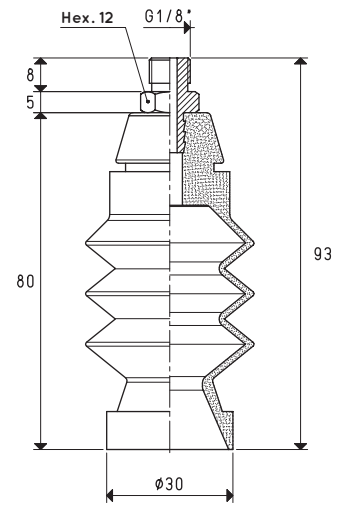
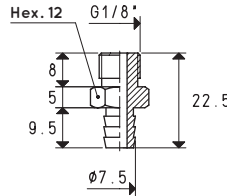
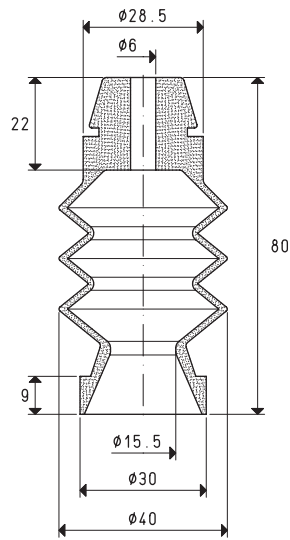




# SPECIAL BELLOWS CUPS WITH SUPPORTS

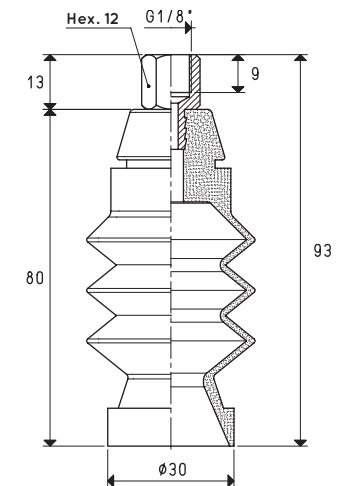
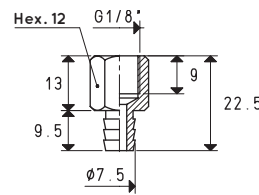
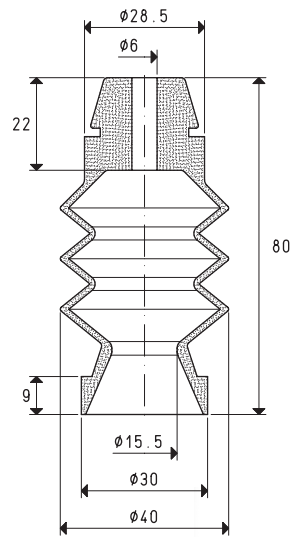
3D drawings are available on vuotecnica.net

1



Vacuum cup item	Force Kg	Bellows stroke mm	Volume cm <sup>3</sup>	Support item	Support material	Weight g	Vacuum cup with support item	Weight g
01 40 80 *	1.76	32	32.4	00 08 05	brass	10.0	08 40 80 *	38.7

\* Complete the code indicating the compound: A= oil-resistant rubber; N= natural para rubber; S= silicone



Vacuum cup item	Force Kg	Bellows stroke mm	Volume cm <sup>3</sup>	Support item	Support material	Weight g	Vacuum cup with support item	Weight g
01 40 80 *	1.76	32	32.4	00 08 14	brass	9.8	08 40 80 F *	38.5

\* Complete the code indicating the compound: A= oil-resistant rubber; N= natural para rubber; S= silicone

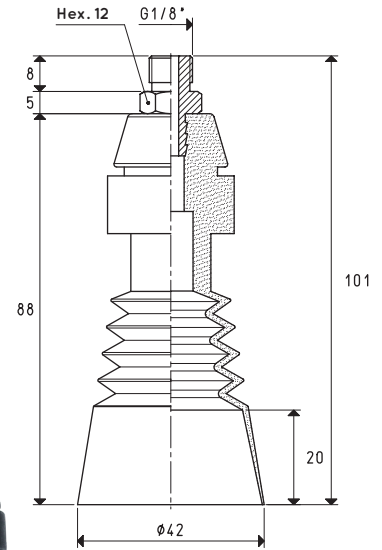
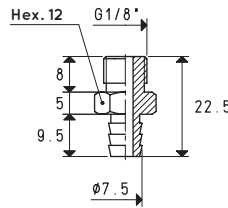
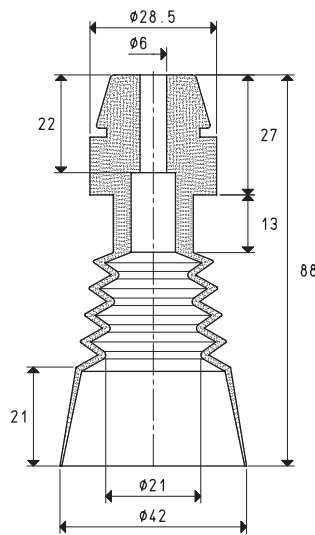
Note: The force of the vacuum cups indicated in the table represents 1/3 of the value of the theoretical force calculated at a level of vacuum of -75 KPa and a factor of safety 3.

Transformation ratio: N (newton) = Kg x 9.81 (force of gravity)

inch =  $\frac{\text{mm}}{25.4}$ ; pounds =  $\frac{\text{g}}{453.6} = \frac{\text{Kg}}{0.4536}$

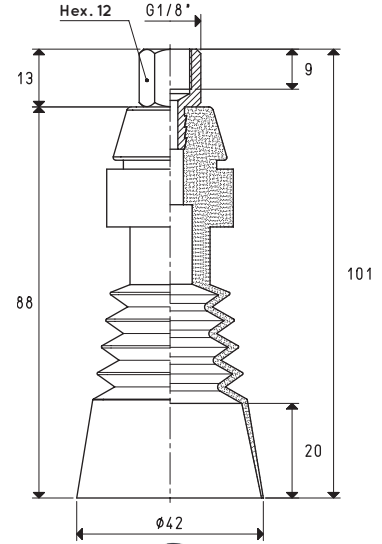
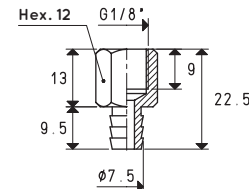
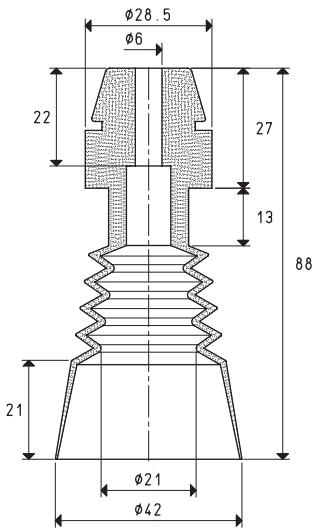
Adapters for GAS - NPT threading available on page 1.130

# SPECIAL BELLOWS CUPS WITH SUPPORTS



Vacuum cup item	Force Kg	Bellows stroke mm	Volume cm <sup>3</sup>	Support item	Support material	Weight g	Vacuum cup with support item	Weight g
01 42 90 *	3.00	13	34.6	00 08 05	brass	10.0	08 42 90 *	34.5

\* Complete the code indicating the compound: A= oil-resistant rubber; N= natural para rubber; S= silicone



Vacuum cup item	Force Kg	Bellows stroke mm	Volume cm <sup>3</sup>	Support item	Support material	Weight g	Vacuum cup with support item	Weight g
01 42 90 *	3.00	13	34.6	00 08 14	brass	9.8	08 42 90 F *	34.3

\* Complete the code indicating the compound: A= oil-resistant rubber; N= natural para rubber; S= silicone

Note: The force of the vacuum cups indicated in the table represents 1/3 of the value of the theoretical force calculated at a level of vacuum of -75 KPa and a factor of safety 3.

Transformation ratio: N (newton) = Kg x 9.81 (force of gravity)

inch =  $\frac{\text{mm}}{25.4}$ ; pounds =  $\frac{\text{g}}{453.6} = \frac{\text{Kg}}{0.4536}$

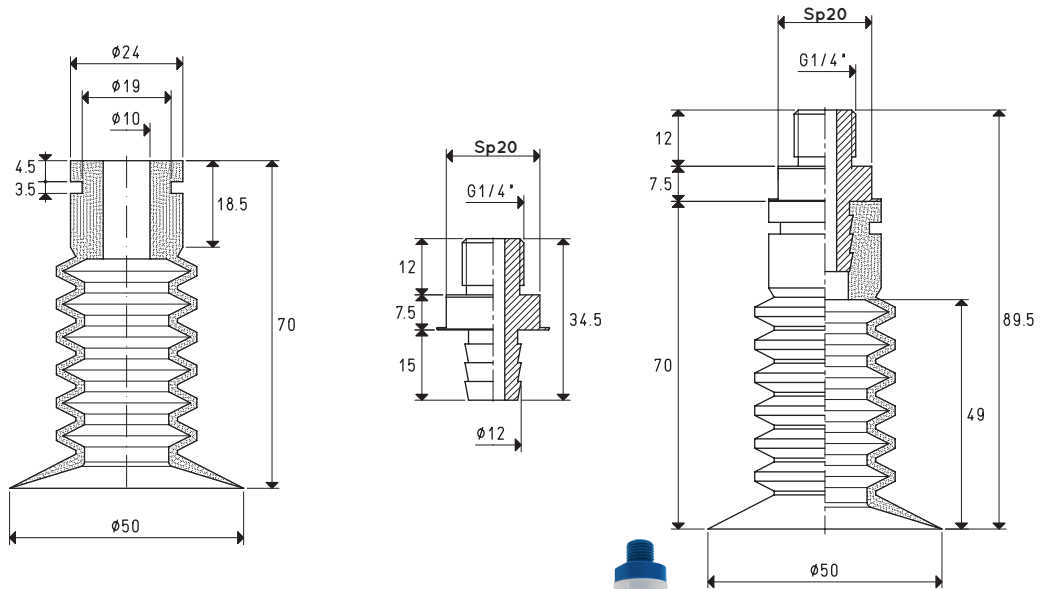
Adapters for GAS - NPT threading available on page 1.130



# SPECIAL BELLOWS CUPS WITH SUPPORTS

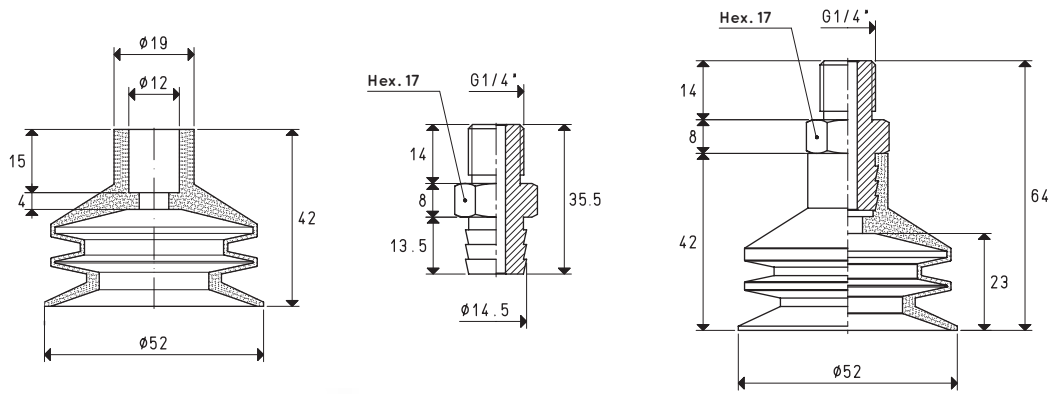
3D drawings are available on [vuotecnica.net](http://vuotecnica.net)

1



Vacuum cup item	Force Kg	Bellows stroke mm	Volume cm <sup>3</sup>	Support item	Support material	Weight g	Vacuum cup with support item	Weight g
<b>01 50 70 *</b>	4.90	28	32.2	00 08 148	aluminium	14.5	08 50 70 *	36.8

\* Complete the code indicating the compound: A= oil-resistant rubber; N= natural para rubber; S= silicone



Vacuum cup item	Force Kg	Bellows stroke mm	Volume cm <sup>3</sup>	Support item	Support material	Weight g	Vacuum cup with support item	Weight g
<b>01 52 50 *</b>	5.30	13	22.7	00 08 26	aluminium	13.5	08 52 50 *	38.2

\* Complete the code indicating the compound: A= oil-resistant rubber; N= natural para rubber; S= silicone

Note: The force of the vacuum cups indicated in the table represents 1/3 of the value of the theoretical force calculated at a level of vacuum of -75 KPa and a factor of safety 3.

Transformation ratio: N (newton) = Kg x 9.81 (force of gravity)

inch =  $\frac{\text{mm}}{25.4}$ ; pounds =  $\frac{\text{g}}{453.6} = \frac{\text{Kg}}{0.4536}$

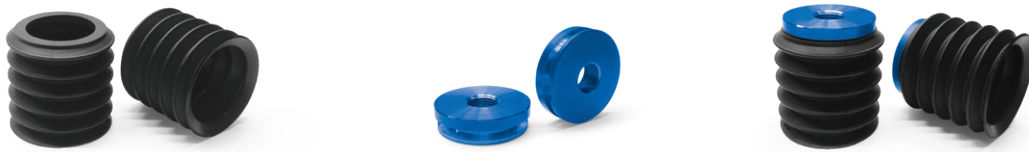
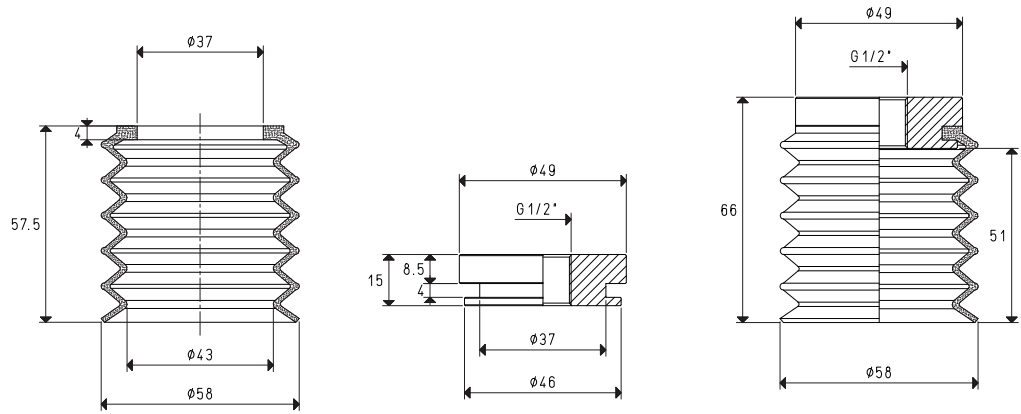
Adapters for GAS - NPT threading available on page 1.130



# SPECIAL BELLOWS CUPS WITH SUPPORTS

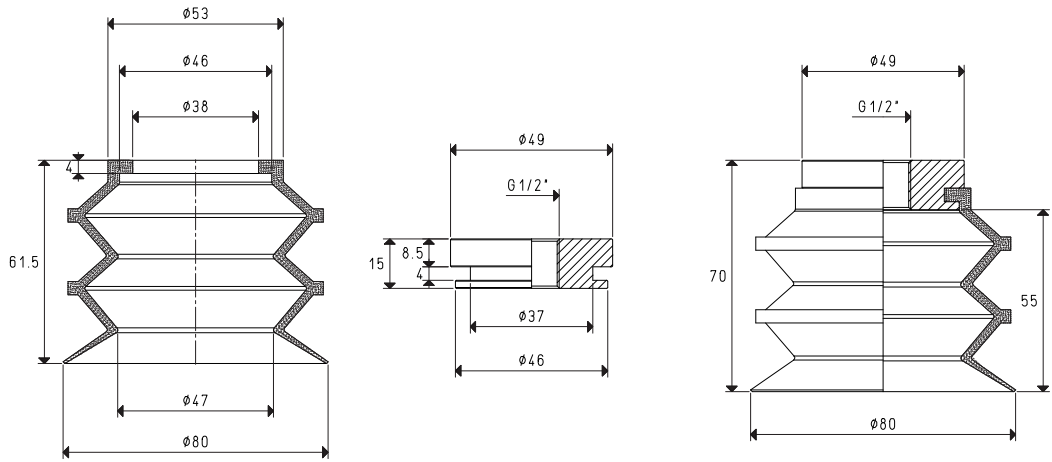
3D drawings are available on [vuotecnica.net](http://vuotecnica.net)

1



Vacuum cup item	Force Kg	Bellows stroke mm	Volume cm <sup>3</sup>	Support item	Support material	Weight g	Vacuum cup with support item	Weight g
<b>01 50 60 A</b>	6.60	30	92.1	00 08 466	aluminium	56	08 50 60 *	82

Compound: A= oil-resistant rubber



Vacuum cup item	Force Kg	Bellows stroke mm	Volume cm <sup>3</sup>	Support item	Support material	Weight g	Vacuum cup with support item	Weight g
<b>01 80 60 A</b>	12.56	37	145.9	00 08 466	aluminium	56	08 80 60 *	106

Compound: A= oil-resistant rubber

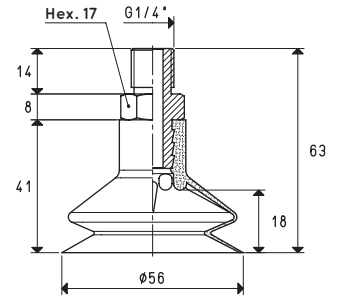
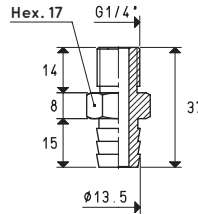
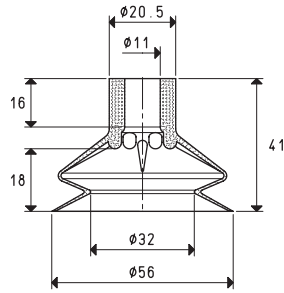
Note: The force of the vacuum cups indicated in the table represents 1/3 of the value of the theoretical force calculated at a level of vacuum of -75 KPa and a factor of safety 3.

Transformation ratio: N (newton) = Kg x 9.81 (force of gravity)

inch =  $\frac{\text{mm}}{25.4}$  ; pounds =  $\frac{\text{g}}{453.6} = \frac{\text{Kg}}{0.4536}$

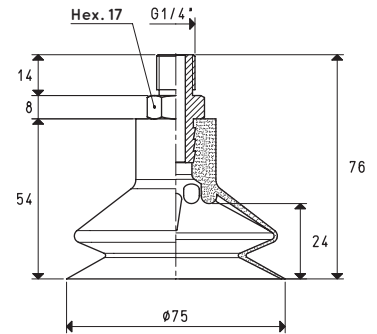
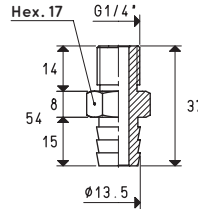
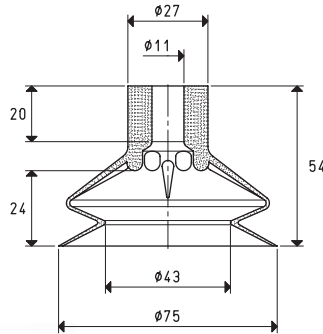
Adapters for GAS - NPT threading available on page 1.130

# SPECIAL BELLOWS CUPS WITH SUPPORTS



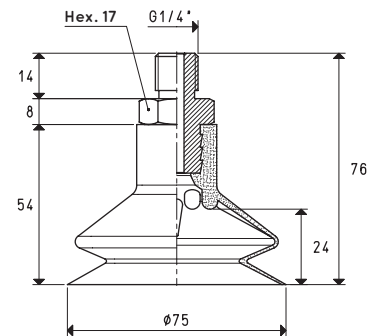
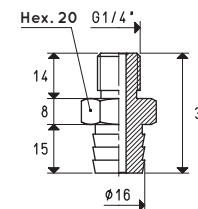
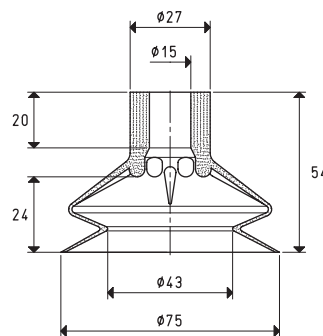
Vacuum cup item	Force Kg	Bellows stroke mm	Volume cm <sup>3</sup>	Support item	Support material	Weight g	Vacuum cup with support item	Weight g
01 56 30 *	6.15	18	28.0	00 08 127	aluminium	11.5	08 56 30 *	28.5

\* Complete the code indicating the compound: A= oil-resistant rubber; N= natural para rubber; S= silicone



Vacuum cup item	Force Kg	Bellows stroke mm	Volume cm <sup>3</sup>	Support item	Support material	Weight g	Vacuum cup with support item	Weight g
01 75 30 *	11.04	24	62.9	00 08 127	aluminium	11.5	08 75 30 *	48.1

\* Complete the code indicating the compound: A= oil-resistant rubber; N= natural para rubber; S= silicone



Vacuum cup item	Force Kg	Bellows stroke mm	Volume cm <sup>3</sup>	Support item	Support material	Weight g	Vacuum cup with support item	Weight g
01 75 31 *	11.04	24	63.1	00 08 09	aluminium	18.1	08 75 31 *	54.7

Compound: S= silicone

Note: The force of the vacuum cups indicated in the table represents 1/3 of the value of the theoretical force calculated at a level of vacuum of -75 KPa and a factor of safety 3.

Transformation ratio: N (newton) = Kg x 9.81 (force of gravity)

inch =  $\frac{\text{mm}}{25.4}$ ; pounds =  $\frac{\text{g}}{453.6} = \frac{\text{Kg}}{0.4536}$

Adapters for GAS - NPT threading available on page 1.130