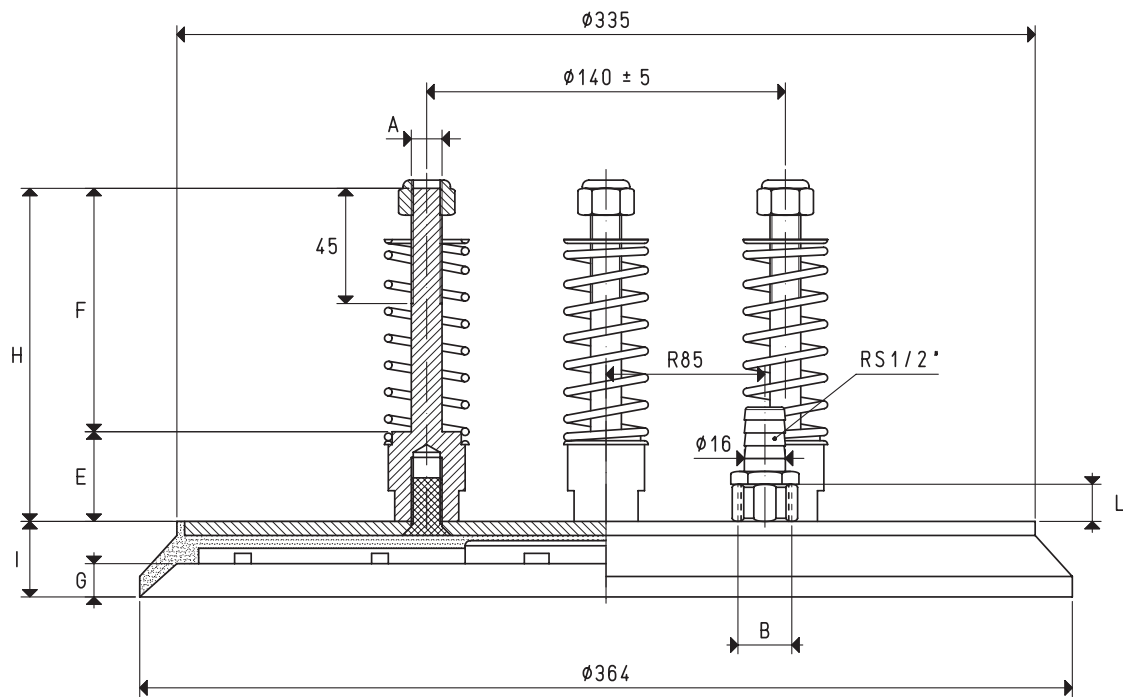


FLAT ROUND VACUUM CUP WITH VULCANISED SUPPORT

These cups are recommended for handling very heavy loads both vertically and horizontally. They are vulcanised onto a steel support and have a labyrinth graved face made in the same compound as the cup.

The support is provided with four steel pins with as many self-locking nuts for guiding the cups and fastening them to the automation, as well as with a threaded sleeve for vacuum connection.

Moreover, these cups are provided with four springs to cushion its impact with the load to be lifted. These cups are available in the three standard compounds.



VACUUM CUP WITH VULCANISED SUPPORT

Item	Force Kg	Volume cm ³	A Ø	B Ø	E	F	G	H	I	L	Support material	Weight Kg
08 360 10 *	254.3	1397.5	M12	G1/2"	35	95	13	130	29	16	steel	4.75

* Complete the code indicating the compound: A= oil-resistant rubber; N= natural para rubber; S= silicone

Note: The force of the vacuum cups indicated in the table represents 1/3 of the value of the theoretical force calculated at a level of vacuum of -75 KPa and a factor of safety 3.

Transformation ratio: N (newton) = Kg x 9.81 (force of gravity)

inch = $\frac{\text{mm}}{25.4}$; pounds = $\frac{\text{g}}{453.6} = \frac{\text{Kg}}{0.4536}$

Adapters for GAS - NPT threading available on page 1.130