



OCTOPUS VACUUM GRIPPING SYSTEM QUESTIONNAIRE

For a correct dimensioning of an octopus vacuum gripping system, it is important to know and assess the features of the load to be handled.

For this reason, please fill out the following form and send it back to us via e-mail or fax.

We will suggest the best Octopus to solve your problem.

A drawing of the product to be handled or the product itself would allow us to offer the best solution.

E-mail: tecnico@vuototecnica.net

Fax: + 39 039 5320015

Company

Address

Post code / City

Country

Contact person:

Telephone

Fax

E-mail

1) In which industrial sector would the Octopus be used?

- | | | | |
|---------------------------------------|---|--|--------------------------------------|
| <input type="checkbox"/> Plastic | <input type="checkbox"/> Wood | <input type="checkbox"/> Glass/Solar | <input type="checkbox"/> Steel sheet |
| <input type="checkbox"/> Marble/Stone | <input type="checkbox"/> Ceramic/Baked clay | <input type="checkbox"/> Paper/Cardboard | <input type="checkbox"/> Packaging |
| <input type="checkbox"/> Automotive | <input type="checkbox"/> Graphics | <input type="checkbox"/> Pharmaceuticals | <input type="checkbox"/> Food |
| <input type="checkbox"/> Cosmetics | <input type="checkbox"/> Bottling | <input type="checkbox"/> Other sectors | |

2) With what material is the product to be handled made?

- | | | | |
|--------------------------------------|---|---------------------------------|--|
| <input type="checkbox"/> Plastic | <input type="checkbox"/> Glass | <input type="checkbox"/> Wood | <input type="checkbox"/> Paper/Cardboard |
| <input type="checkbox"/> Steel sheet | <input type="checkbox"/> Marble/Granite | <input type="checkbox"/> Rubber | <input type="checkbox"/> Other |

3) What is the surface of the product to be gripped like?

- | | | | | |
|-------------------------------------|--------------------------------|---------------------------------|-----------------------------------|--|
| <input type="checkbox"/> Dry | <input type="checkbox"/> Wet | <input type="checkbox"/> Smooth | <input type="checkbox"/> Rough | <input type="checkbox"/> Creased |
| <input type="checkbox"/> Corrugated | <input type="checkbox"/> Flaky | <input type="checkbox"/> Porous | <input type="checkbox"/> Textured | <input type="checkbox"/> Bush-hammered |

4) On the gripping surface there may be impurities such as:

- | | | | | |
|---------------------------------|--------------------------------|------------------------------|-----------------------------------|--------------------------------------|
| <input type="checkbox"/> Powder | <input type="checkbox"/> Water | <input type="checkbox"/> Oil | <input type="checkbox"/> Solvents | <input type="checkbox"/> Other |
|---------------------------------|--------------------------------|------------------------------|-----------------------------------|--------------------------------------|

5) What is the temperature of the load to be handled?

From -°C to +°C For a short time °C Continuously °C.....

6) What do you need to pick up?

Description of product:

<input type="checkbox"/>	<input type="checkbox"/>	<input type="checkbox"/>	<input type="checkbox"/>	<input type="checkbox"/>
				
<input type="checkbox"/>	<input type="checkbox"/>	<input type="checkbox"/>	<input type="checkbox"/>	<input type="checkbox"/> Other
				<input type="text"/>





OCTOPUS VACUUM GRIPPING SYSTEM QUESTIONNAIRE

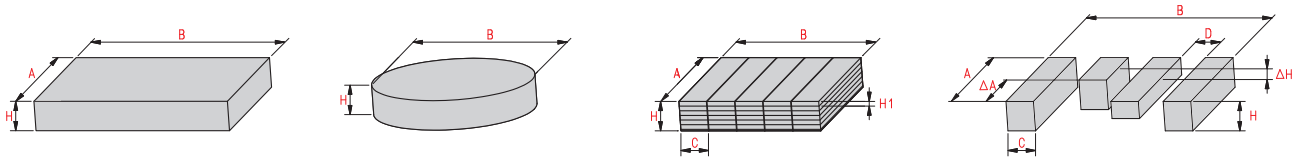
3D drawings are available on vuototecnica.net

7) What shape is the product to be handled?

- Square Rectangular Triangular Round
 Irregular Other

8) What are the dimensions and weight of the load?

- Sheet / Block Cylinder / Disc Pallets / Tables Beams / Tiles



Size	A	B	H	H1	C	D	ΔH	ΔA	Weight
Minimum	mm	mm	mm	mm	mm	mm	mm	mm	kg
Maximum	mm	mm	mm	mm	mm	mm	mm	mm	kg

9) On what machine will the Octopus be assembled?

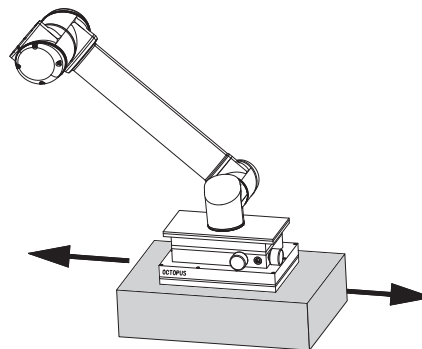
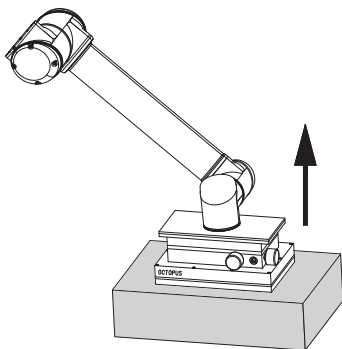
- Anthropomorphic robot Cartesian axes portal Other

10) From where will the load be picked up?

- From a conveyor belt From a fixed worktop From another machine

11) How will the load be handled?

- Vertically Horizontally Both ways



12) In what position will the load to be handled be?

- Vertical Horizontal Inclined



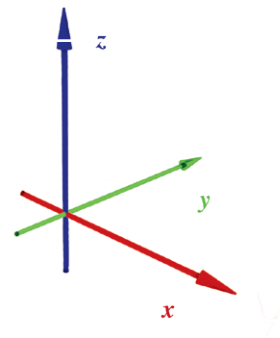


13) Is the position of the load always well defined?

- Yes No, errors of deviation may occur within: mm

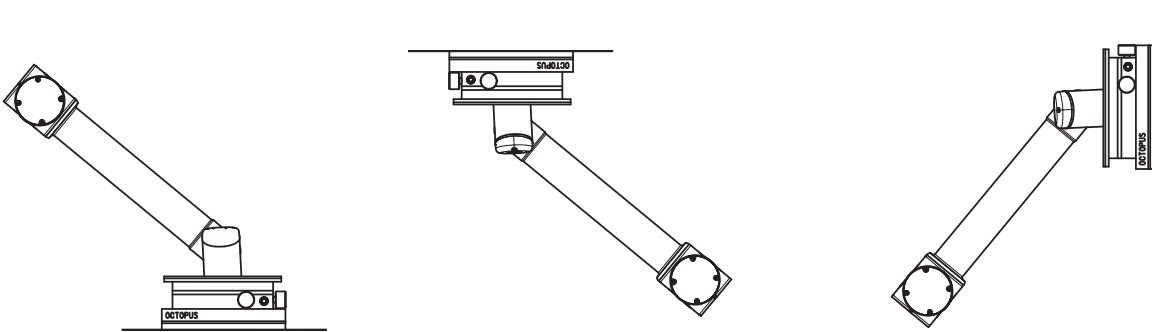
14) What are the maximum acceleration values?

- Z-axis acceleration m/s^2
 Y-axis acceleration m/s^2
 X-axis acceleration m/s^2

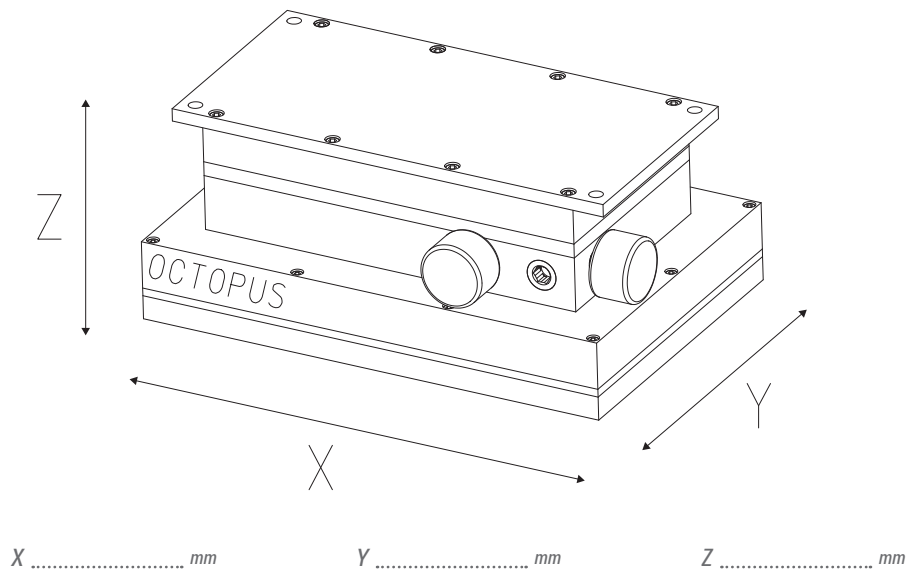


15) How is the product picked up?

- From above From below From the side



16) What can the maximum overall dimensions of the Octopus gripping system be, related to your needs?





OCTOPUS VACUUM GRIPPING SYSTEM QUESTIONNAIRE

3D drawings are available on vuototecnica.net

17) By what device would you like to generate the vacuum?

- Electrical vacuum pump
- Pneumatic vacuum generator

If you selected a vacuum pump, indicate the electrical characteristics available:

- Electrical power:
- Single-phase
 - Volt 230 – 50Hz
 - Other Volt Hz
 - Three-phase
 - Volt 230/400 – 50Hz
 - Other Volt Hz

If you selected a pneumatic vacuum generator, indicate the characteristics of the available compressor:

- Installed power kW
- Maximum compressed air pressure bar

18) Other technical data required:

- Maximum gripping time sec
- Maximum cycle time sec

19) At which height above sea level is the Octopus system to be installed?

- m

20) What other components must be moved in addition to the product?

- Separators
- Empty pallets
- Containers
- Other

For Boxes, containers, vessels and similar, supply:

- Relative drawings
- Layout
- Gripping arrangement
- Other

21) Gripping tests on your samples

We can perform tests for gripping and handling on samples of products supplied by you and can send you videos/images relative to tests performed.

22) Contact

- Do you wish to be called back?
- Yes
- No
- Are you interested in a visit?
- Yes
- No
- If yes, what date/time?

